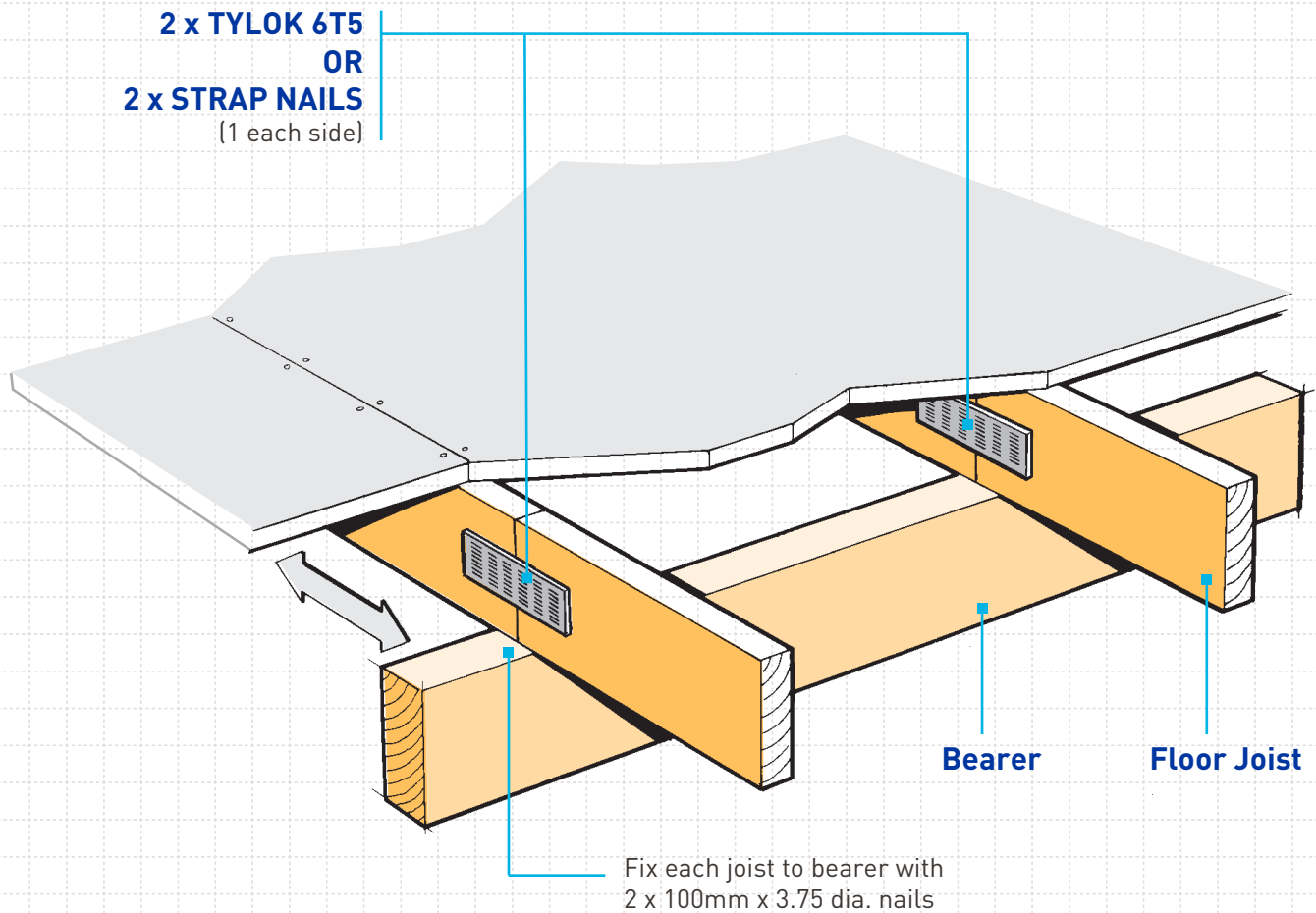


# 6kN FLOOR JOIST SPLICE OVER BEARER

AS PER CLAUSE 7.1.1.7(c) & FIGURE 7.1(c) NZS 3604:2011



AVAILABLE FROM LEADING BUILDERS SUPPLY MERCHANTS THROUGHOUT NEW ZEALAND

