

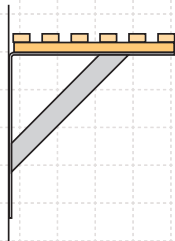
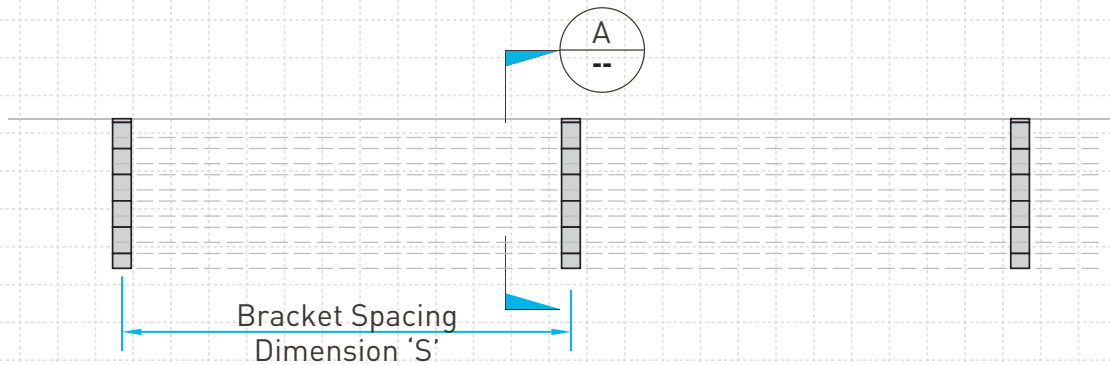
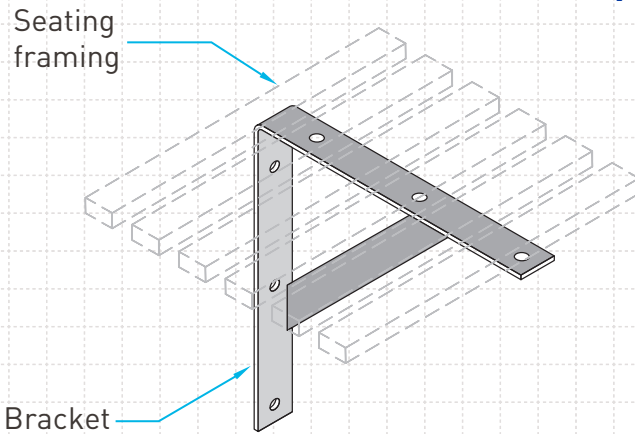
ANGLE BRACKETS WITH GUSSET

BRACKET RANGE

→ B163 and B165

FIXING NOTE

→ All bolt holes accommodate M12 Bolt, unless noted.



SECTION
SCALE: NTS



Seating Load

→ Bracket design to carry live load of 3.0kPa

Load Note

→ Bracket selection for B163 & B165 is dependent on seating width only. The same unit load applies to both brackets

BRACKET SPACING

Bracket	Max. Spacing 'S'
B163	2.0m
B165	2.0m

AVAILABLE FROM LEADING BUILDERS SUPPLY MERCHANTS THROUGHOUT NEW ZEALAND

