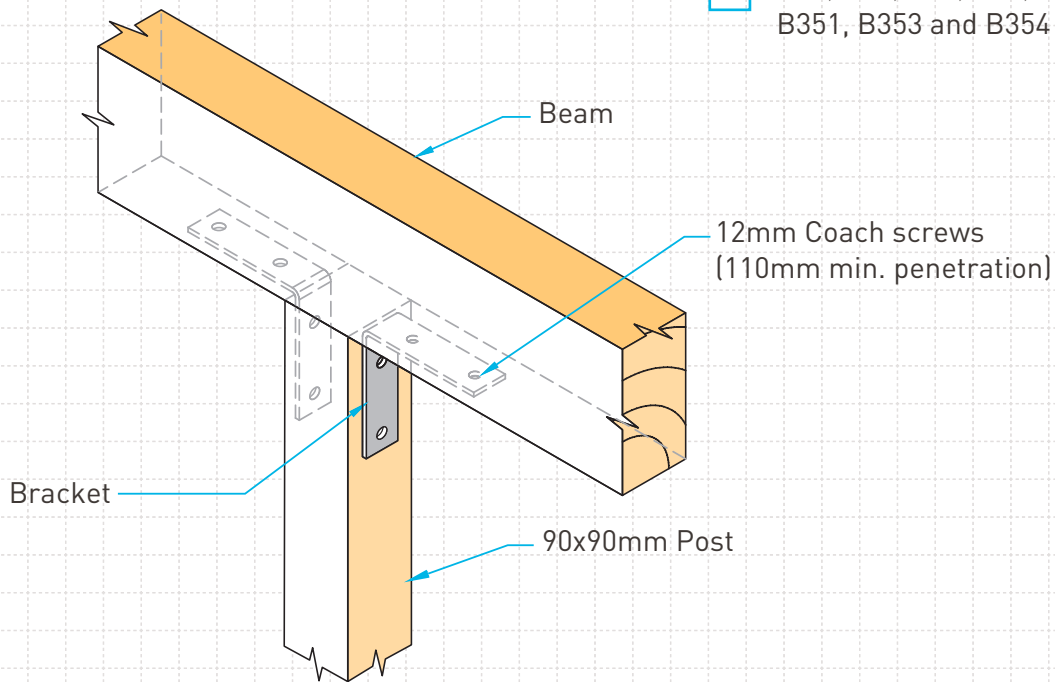


ANGLE BRACKETS

WITHOUT GUSSETS

BRACKET RANGE

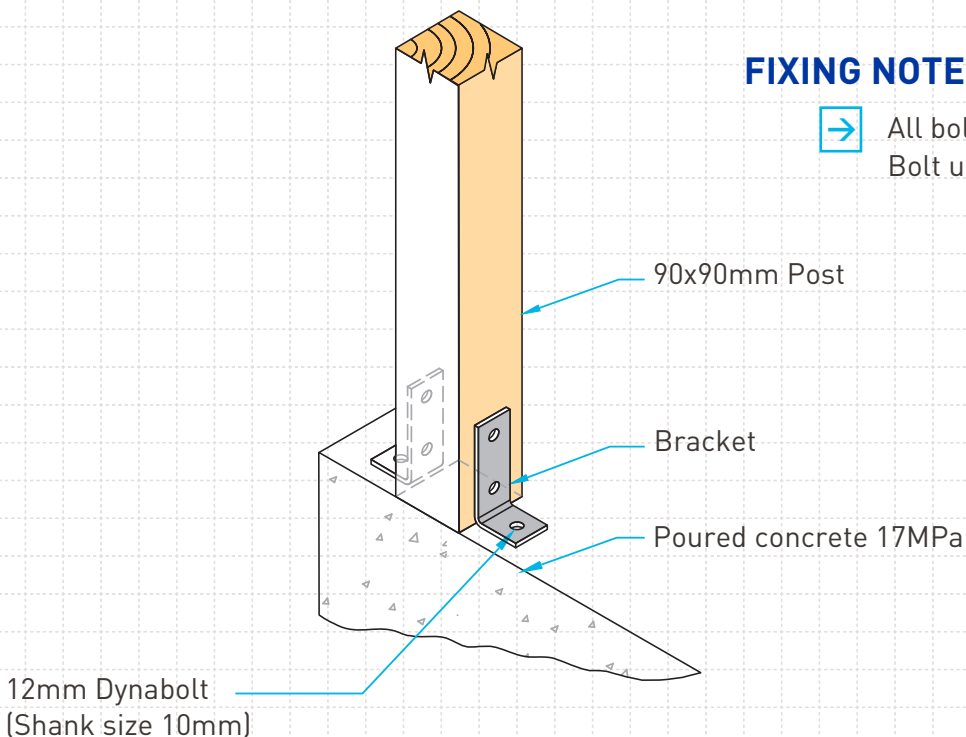
→ B51, B52, B53, B54, B55, B58, B351, B353 and B354



TYPICAL USE

FIXING NOTE

→ All bolt holes accommodate M12 Bolt unless noted.

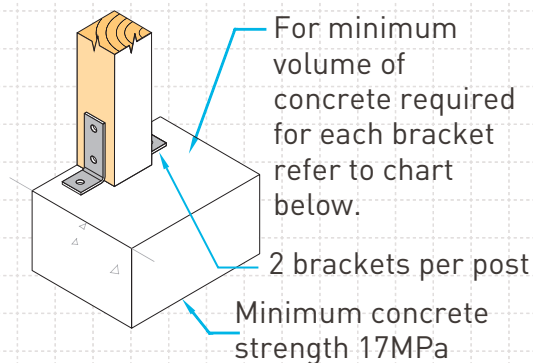
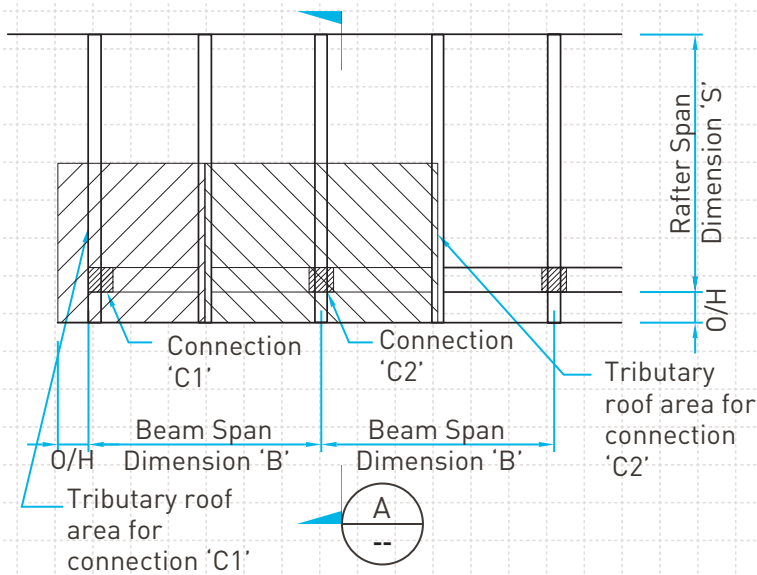


AVAILABLE FROM LEADING BUILDERS SUPPLY MERCHANTS THROUGHOUT NEW ZEALAND

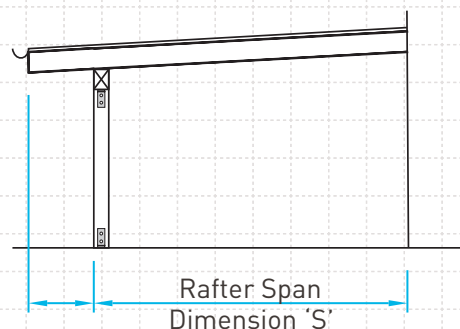


ANGLE BRACKETS

WITHOUT GUSSETS



FOUNDATION DETAILS



SECTION

SCALE: NTS



EXAMPLE AREAS

→ Tributary roof area on connection 'C' = $(S/2+O/H) \times (B/2+O/H)$

→ Tributary roof area on connection 'C2' = $(S/2+O/H) \times B$

Max. Concrete Footing Volume Requirement

Roof Type	Wind Zone	Volume of footing concrete (m ³) for area of roof supported						
		1m ²	2m ²	4m ²	6m ²	8m ²	10m ²	12m ²
Light*	Extra High	0.09	0.16	0.32	0.49	0.61	0.79	1.00
	Very High	0.07	0.13	0.26	0.40	0.50	0.65	0.80
	High	0.05	0.10	0.20	0.30	0.40	0.50	0.60
	Medium	0.03	0.05	0.10	0.15	0.20	0.25	0.30
	Low	0.02	0.03	0.07	0.10	0.15	0.15	0.20
Heavy*	Extra High	0.05	0.09	0.16	0.25	0.32	0.39	0.49
	Very High	0.04	0.07	0.13	0.20	0.26	0.32	0.40
	High	0.03	0.05	0.10	0.15	0.20	0.25	0.30
	Medium / Low	No securement for uplift required						

Load Table

Roof Type	Wind Load	Max. Roof Area (m ²)
Light*	Extra High	6
	Very High	7
	High	10
	Medium / Low	12
Heavy*	Low	12
	Extra High	7
	Very High	10
	High	12
	Medium / Low	12

*Refer to NZS 3604:2011 for specific roof weights.

Concrete volumes for roof area beyond 12m² can be increased on pro-rate basis.

AVAILABLE FROM LEADING BUILDERS SUPPLY MERCHANTS THROUGHOUT NEW ZEALAND

