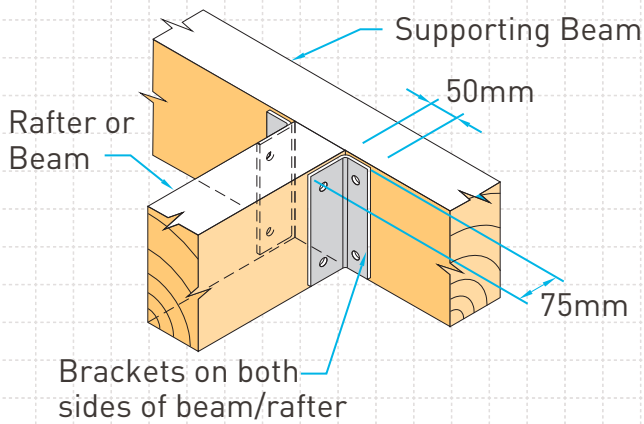


HEAVY DUTY SHORT ANGLE BRACKETS



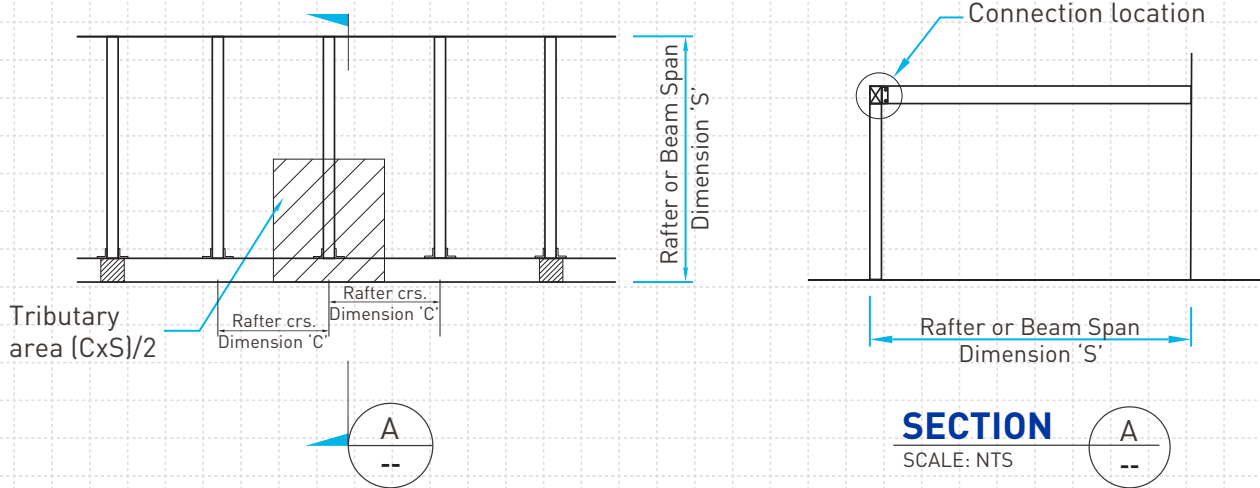
BRACKET RANGE

→ B175, B176, B177 and B178*

BRACKET RANGE

→ All bolt holes accommodate M12 Bolt unless noted.

TYPICAL USE



LAYOUT & LOAD DIMENSIONS

Roof type	Wind zone	Max. Roof Area (m ²)	
		1.0kPa Snow	No Snow
Light	Extra high	6	6
	Very high	7	8
	High	7	11
	Medium	7	12
	Low	7	12
Heavy	Extra high	5	8
	Very high	5	10
	High	5	12
	Medium/Low	5	12

LOAD TABLE

AVAILABLE FROM LEADING BUILDERS SUPPLY MERCHANTS THROUGHOUT NEW ZEALAND

