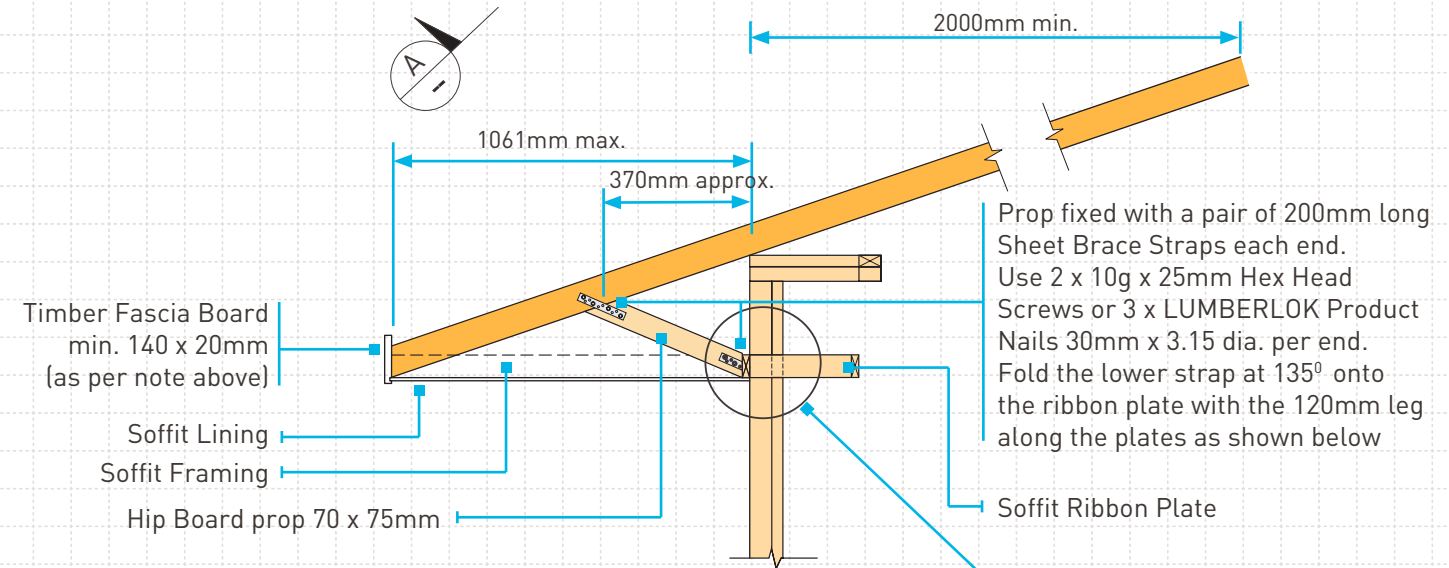
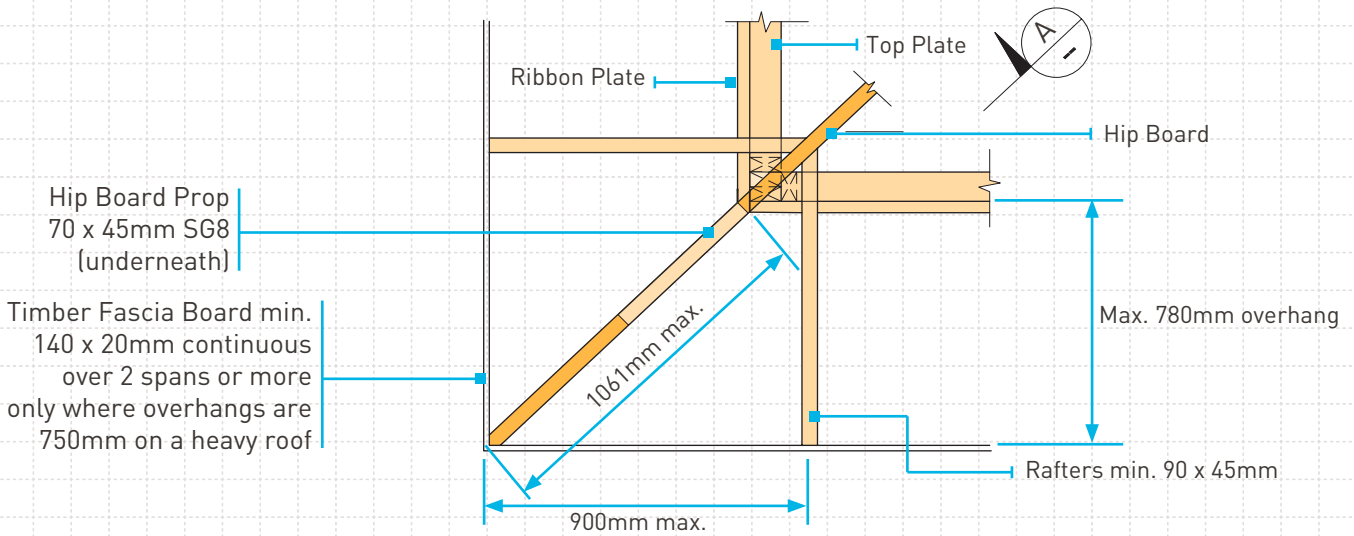


HIP BOARD PROP

SUPPORTING EXCESSIVE OVERHANGS

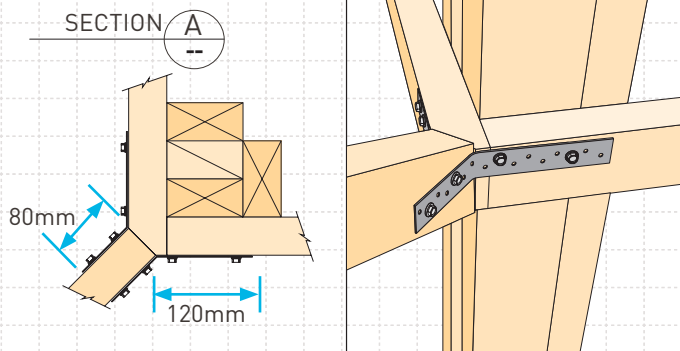


Load Conditions:

Wind:	Up to Extra High
Snow (Sg):	Up to 1.0kPa
Roof Material: (Heavy)	Up to 0.65kPa
Soffit:	Light (0.20kPa)
Roof Pitch Range:	15° to 30°
Truss Crs.:	600 to 900mm

Notes:

- All other details as per
- NZS 3604:2011
- Mitek New Zealand Limited design software MiTek® 20/20



AVAILABLE FROM LEADING BUILDERS SUPPLY MERCHANTS THROUGHOUT NEW ZEALAND

