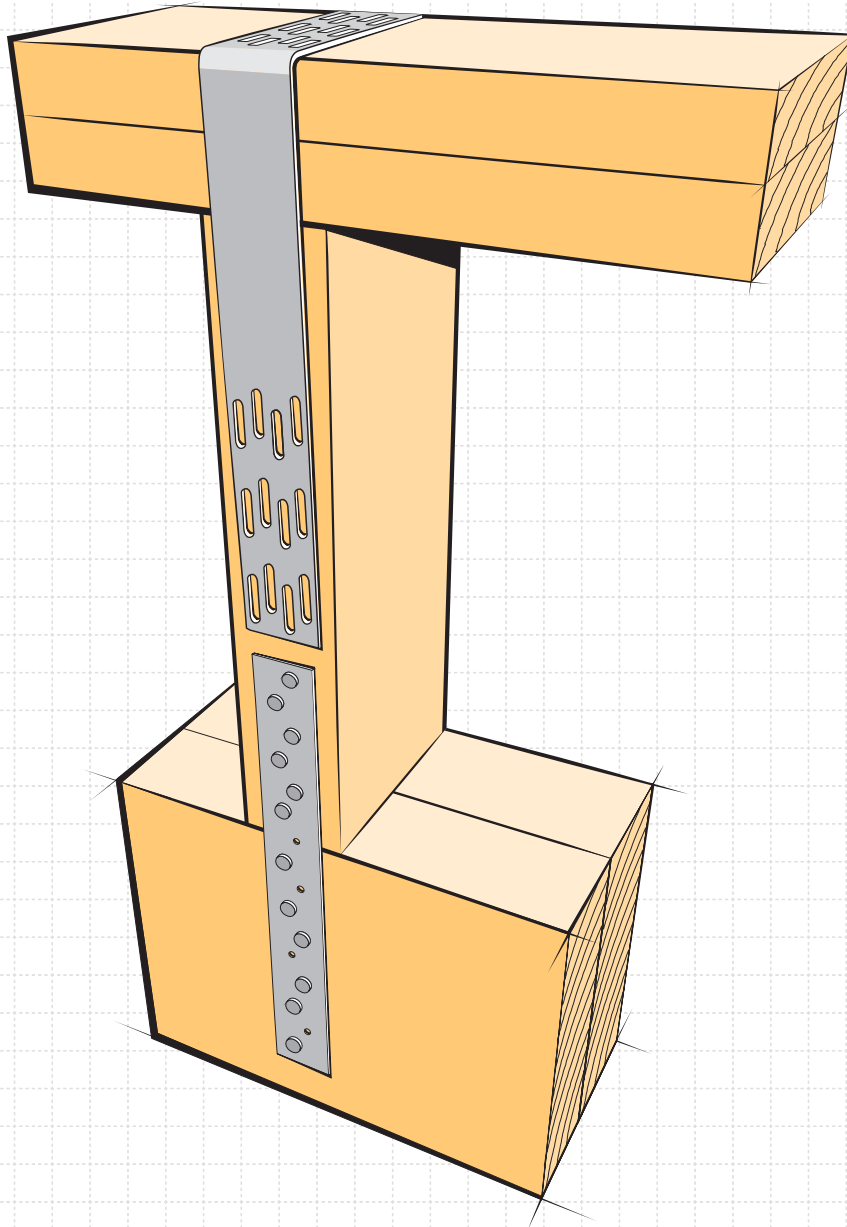


JACK STUD TO TOP PLATE & LINTEL FIXING

PROVIDES A SOLUTION FOR ALL JACK STUD LENGTH FIXING OPTIONS

- Covers the requirements for LUMBERLOK® Stud to Top Plate fixing “Type b -4.7kN” as require by LUMBERLOK® Lintel Fixing Schedule
- Wall framing and connection details under girder trusses are not covered by this fixing soultion and are subject to specific engineering design
- All timber selections are as per NZS 3604:2011



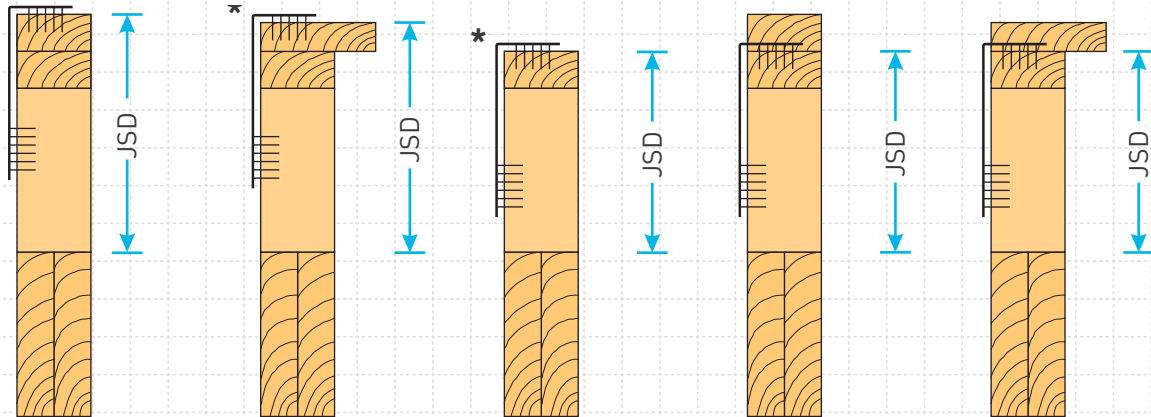
AVAILABLE FROM LEADING BUILDERS SUPPLY MERCHANTS THROUGHOUT NEW ZEALAND



JACK STUD TO TOP PLATE & LINTEL FIXING

FRAMING ARRANGEMENTS

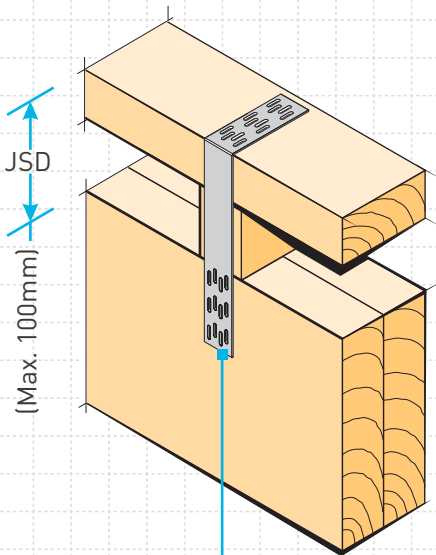
Jack Stud Dimension Definition (JSD)



* Note: It is preferable for the top fixing to be located on the uppermost top plate packer to provide better options for the truss connections

FIXING 1

Jack Stud Dimension (JSD) up to a maximum of 100mm. Includes top plate fixed directly onto lintel i.e. no jack stud used.

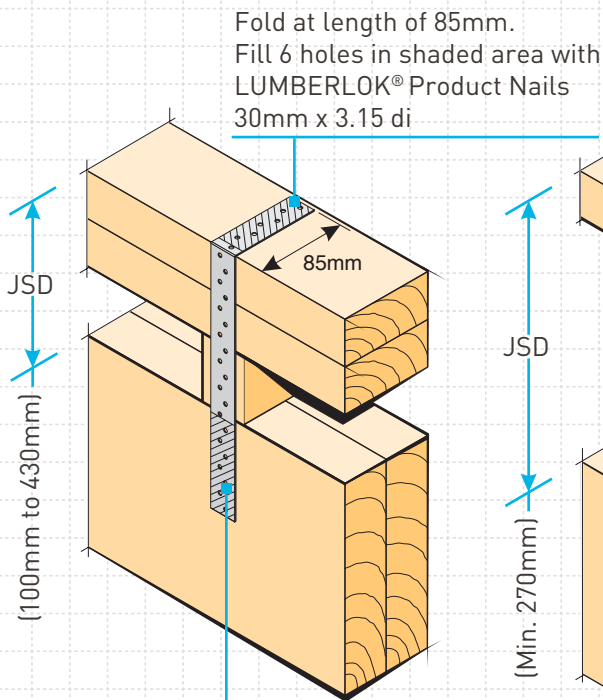


LUMBERLOK® Sheet Brace Strap
on one face

Note:
Fix jack stud with 2/ 90mm x 3.15 dia. nails from top plate and 2/ 90mm x 3.15 dia. skew nails to lintel (typical)

FIXING 2

Jack Stud Dimension (JSD) from a minimum of 100mm to a maximum of 430mm.



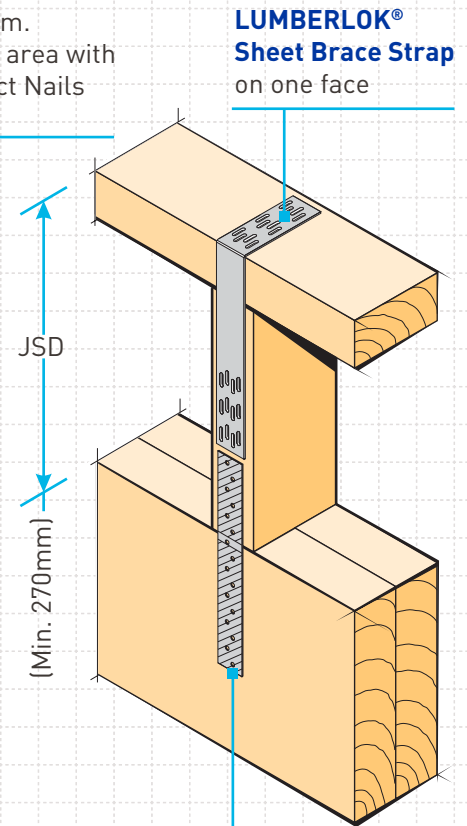
LUMBERLOK® Sheet Brace Strap
on one face. Fill 6 holes in shaded area with LUMBERLOK® Product Nails 30mm x 3.15 dia.

Note:

- JSD up to 230mm use Sheet Brace Strap 400mm.
- JSD from 230mm to 430mm use Sheet Brace Strap 600mm.

FIXING 3

Jack Stud Dimension (JSD) from a minimum of 270mm. No maximum dimension.



LUMBERLOK® Sheet Brace Strap
200mm on one face. Fill 6 holes in both shaded areas of Jack Stud and Lintel with LUMBERLOK Product Nails 30mm x 3.15 dia