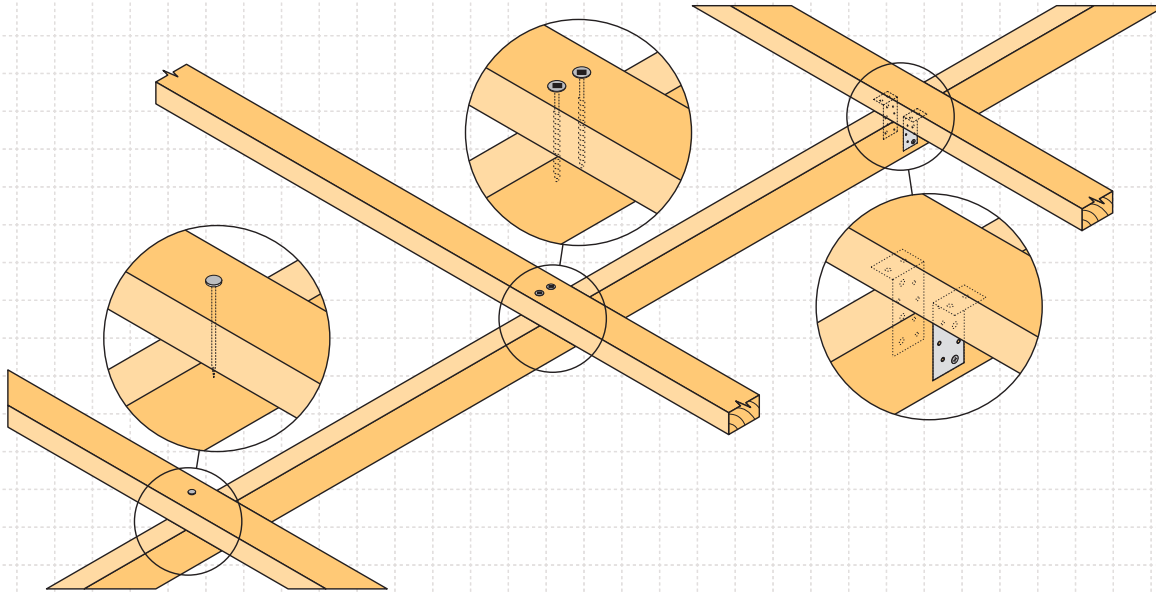


PURLIN & BATTEN FIXING CHART

ALTERNATIVE SOLUTION TO NZS 3604:2011 TABLES 10.10 & 10.2

- All purlin and batten sizes are as per NZS 3604:2011.
- All fixings assume that the purlin and battens are installed on their flat over the top of the rafter or truss.
- The minimum fixing requirements apply to all purlin locations with the roof area.
- The LUMBERLOK BLUE SCREW where specified requires a minimum of 30mm penetration into rafter or truss. i.e. it is suitable for rough sawn timber up to 50mm thick at 18% moisture content.



SELECTION CHART FIXING OPTIONS (minimum fixing requirements)

ROOF WEIGHT	MAX. PURLIN SPAN (mm)	MAX. PURLIN CRS. (mm)	WIND ZONE				
			L	M	H	VH	EH
HEAVY ROOF Tile Battens	900	370	A	A	A	A	A
LIGHT ROOF Tile Battens	900	370	A	A	B	C	C
	1200	370	A	B	C	C	C
LIGHT ROOF Purlins	900	900	C	C	C	C	D
	1200	900	C	C	C	D	D
	1200	1200	C	C	D	E	E

Wind Zone:
As per NZS 3604:2011

L = Low Wind
M = Medium Wind
H = High Wind
VH = Very High Wind
EH = Extra High Wind

AVAILABLE FROM LEADING BUILDERS SUPPLY MERCHANTS THROUGHOUT NEW ZEALAND

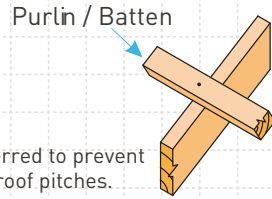


PURLIN & BATTEN FIXING CHART

FIXING TYPE A
0.55kN

1 NAIL

Note: Two nails maybe preferred to prevent batten rolling over with high roof pitches.



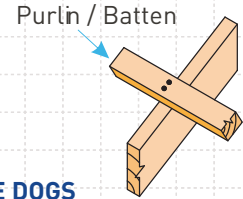
FIXING TYPE D
3.45kN

2 BLUE SCREWS

OR

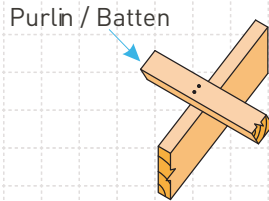
2 SKEW NAILS plus 2 WIRE DOGS

(for purlin on edge)



FIXING TYPE B
0.8kN

2 NAILS

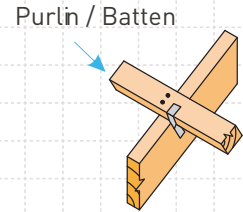


FIXING TYPE E
5.5kN

2 NAILS plus 1 CT200

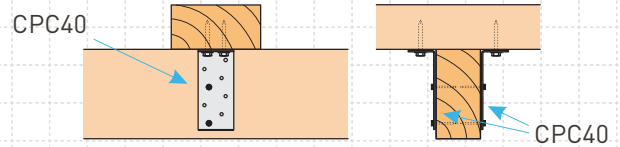
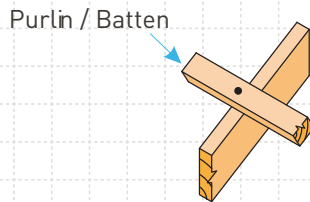
OR

1 PAIR of CPC40



FIXING TYPE C
2.4kN

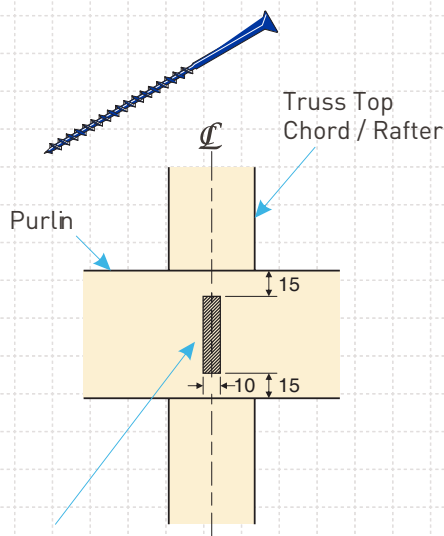
1 BLUE SCREW



FIXING DEFINITIONS

Nail	Either 90mm x 3.15 dia. power-driven nail or 100mm x 3.75 dia, hand driven nail
BLUE SCREW	80mm x 10 gauge LUMBERLOK BLUE SCREW
WIRE DOG	LUMBERLOK WIRE DOG either LH or RH
CT200	LUMBERLOK Ceiling tie CT200 bend over purlin, 4 x LUMBERLOK product nails 30mm x 3.15 dia. each end.
CTC40	LUMBERLOK CPC40 with 2 x Type 17-14g x 35mm Hex Head screws per flange

FIXING TOLERANCES LUMBERLOK BLUE SCREW



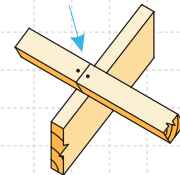
NOTE :

Locate fixings within the shaded area. Care to be taken to avoid over tightening of screws.

PURLIN / BATTEN SPLICE FIXING OPTIONS

**FIXING TYPE
A & B OVER
PURLIN SPLICE**

1 nail in each



NOTE :

Skew nail when fixing to 35mm rafter or truss

**FIXING TYPE
C, D or E OVER
PURLIN SPLICE**

90 x 35mm block fixed to chord or rafter with 4 x 75mm nails

- TYPE C
1 SCREW to each purlin

- TYPE D & E
1 NAIL plus 1 SCREW to each purlin

