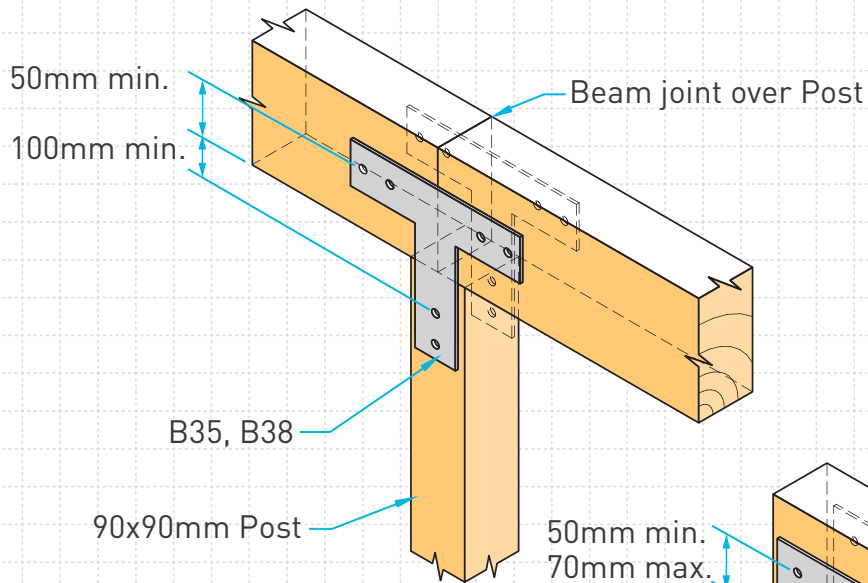


STRAP, T & L BRACKETS

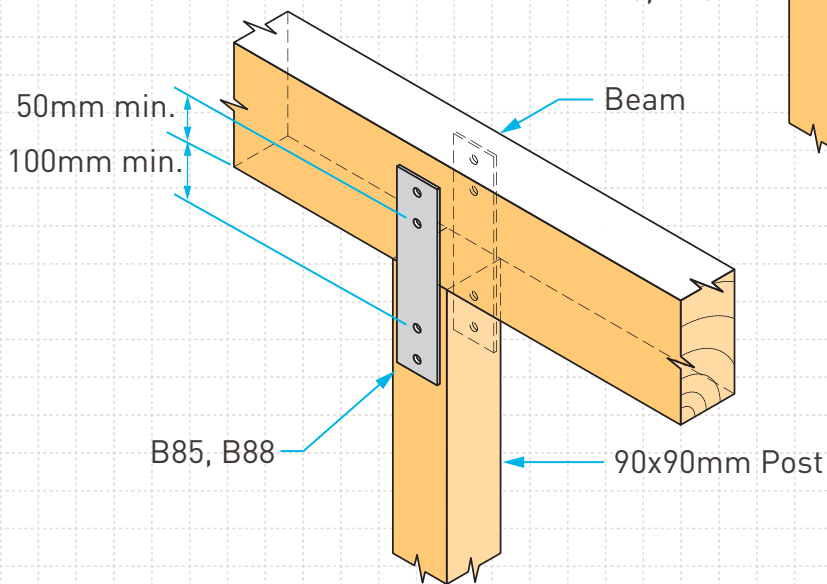
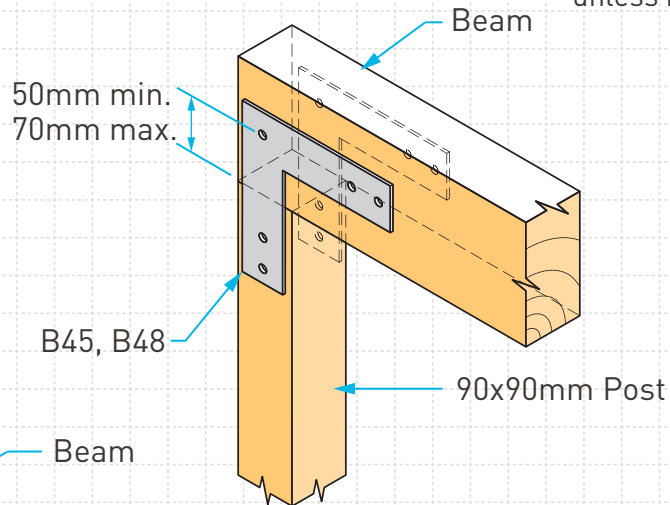


BRACKET RANGE

- B35, B38 (T)
- B45, B48 (L)
- B85, B88 (Strap)

FIXING NOTE

- All bolt holes accommodate M12 Bolt unless noted.

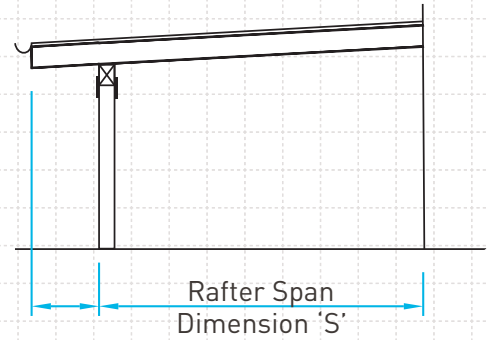
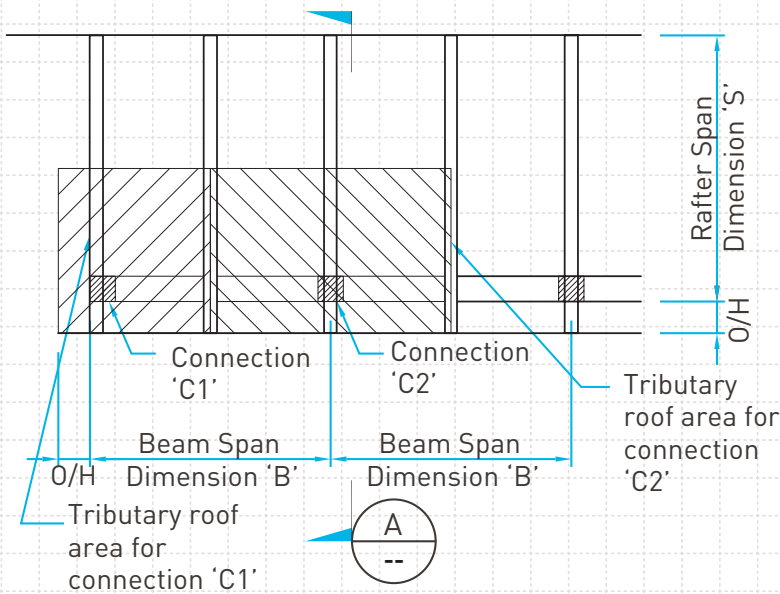


All T's, L's & Straps have two width selections of 50mm and 75mm. Loads for each width are the same, thus the choice of width is aesthetic only, i.e. 75mm width looks best on 150mm wide timber.

AVAILABLE FROM LEADING BUILDERS SUPPLY MERCHANTS THROUGHOUT NEW ZEALAND



STRAP, T & L BRACKETS



SECTION
SCALE: NTS



EXAMPLE AREAS

- Tributary roof area on connection 'C' = $(S/2 + O/H) \times (B/2 + O/H)$
- Tributary roof area on connection 'C2' = $(S/2 + O/H) \times B$

LOAD TABLE

Roof type	Wind zone	Maximum Roof Area (m ²)
Light*	Extra high	8
	Very high	10
	High	12
	Medium	12
	Low	12
Heavy*	Extra high	9
	Very high	12
	High	12
	Med/Low	12

DESIGN NOTE

- The loads shown in the table are verticle in direction and principally upwards, i.e. wind loads
- Design assumes brackets are on both sides of joints

