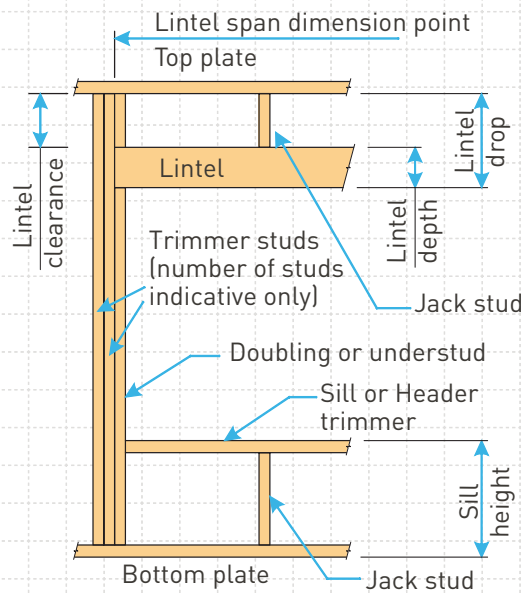


STUDLOK™ LINTEL FIXING OPTIONS FOR ON-SITE

ALTERNATIVE TO TABLE 8.14 & FIGURE 8.12 NZS 3604:2011

- All fixings are designed for vertical loads only. Dead loads include the roof weight and standard ceiling weight of 0.20kPa
- These fixings assume the correct choice of rafter/truss to top plate connections have been made
- All fixings assume bottom plate thickness of 45mm maximum
- Wall framing arrangements under girder trusses are not covered in this schedule
- All timber selections are as per NZS 3604:2011



LINTEL SUPPORTING GIRDER TRUSSES

Roof Tributary Area	Light Roof			Heavy Roof		
	Wind Zone			Wind Zone		
	Low, Medium, High	Very High	Extra High	Low, Medium, High	Very High	Extra High
8.6m ²	G	G	H	G	G	H
11.6m ²	G	H	H	G	G	H
12.1m ²	G	H	H	G	H	H
15.3m ²	H	H	-	G	H	H
19.1m ²	H	-	-	G	H	-
20.9m ²	H	-	-	H	H	-
21.8m ²	H	-	-	H	-	-
34.3m ²	-	-	-	H	-	-

NOTES:

1. Roof Tributary Area = approx. 1/2 x (total roof area on girder and rafter trusses supported by lintel)
2. Assumed girder truss is at mid-span or middle third span of lintel
3. Use similar fixings for both ends of lintel
4. All other cases require specific engineering design



STUDLOK™ LINTEL FIXING OPTIONS FOR ON-SITE

ALTERNATIVE TO TABLE 8.14 & FIGURE 8.12 NZS 3604:2011

Lintel Span (m)	Loaded Dimension (m)	Light Roof					Heavy Roof				
		Wind Zone					Wind Zone				
		Low	Medium	High	Very High	Extra High	Low	Medium	High	Very High	Extra High
1.0	2.0	E	E	E	F	F	E	E	E	E	F
	3.0	E	E	F	F	F	E	E	E	F	F
	4.0	E	F	F	F	G	E	E	F	F	F
	5.0	E	F	F	G	G	E	E	F	F	G
	6.0	E	F	F	G	G	E	E	F	F	G
1.2	2.0	E	E	F	F	F	E	E	E	F	F
	3.0	E	E	F	F	F	E	E	F	F	F
	4.0	E	F	F	G	G	E	E	F	F	G
	5.0	E	F	F	G	G	E	E	F	F	G
	6.0	F	F	G	G	H	E	E	F	G	G
1.5	2.0	E	E	F	F	F	E	E	E	F	F
	3.0	E	F	F	F	G	E	E	F	F	F
	4.0	E	F	F	G	G	E	E	F	F	G
	5.0	F	F	G	G	H	E	E	F	G	G
	6.0	F	F	G	H	H	E	E	F	G	H
2.0	2.0	E	F	F	F	G	E	E	F	F	F
	3.0	E	F	F	G	G	E	E	F	F	G
	4.0	F	F	G	G	H	E	E	F	G	G
	5.0	F	F	G	H	H	E	E	F	G	H
	6.0	F	G	G	H	H	E	F	G	H	H
2.4	2.0	E	F	F	G	G	E	E	F	F	G
	3.0	F	F	G	G	H	E	E	F	G	G
	4.0	F	F	G	H	H	E	E	F	G	H
	5.0	F	G	G	H	H	E	F	G	H	H
	6.0	F	G	H	H	-	E	F	G	H	H
3.0	2.0	E	F	F	G	G	E	E	F	F	G
	3.0	F	F	G	H	H	E	E	F	G	H
	4.0	F	G	G	H	H	E	F	G	H	H
	5.0	F	G	H	H	-	E	F	G	H	H
	6.0	F	G	H	-	-	E	F	G	H	-
3.6	2.0	F	F	G	G	H	E	E	F	G	G
	3.0	F	F	G	H	H	E	F	G	G	H
	4.0	F	G	H	H	-	E	F	G	H	H
	5.0	F	G	H	-	-	E	F	G	H	-
	6.0	G	H	H	-	-	E	F	H	-	-
4.2	2.0	F	F	G	G	H	E	E	F	G	G
	3.0	F	G	H	H	-	E	F	G	H	H
	4.0	F	G	H	-	-	E	F	G	H	-
	5.0	G	H	H	-	-	E	F	H	-	-
	6.0	G	H	-	-	-	E	F	H	-	-
4.5	2.0	F	F	G	H	H	E	E	F	G	H
	3.0	F	G	H	H	-	E	F	G	H	H
	3.4	F	G	H	H	-	E	F	G	H	H
	4.0	F	G	H	-	-	E	F	G	H	-
	5.0	G	H	-	-	-	E	F	H	-	-
4.8	2.0	F	F	G	H	H	E	E	F	G	H
	3.0	F	G	H	H	-	E	F	G	H	H
	3.2	F	G	H	H	-	E	F	G	H	H
	4.0	F	G	H	-	-	E	F	H	H	-
	5.0	G	H	-	-	-	E	F	H	-	-
5.1	2.0	F	F	G	H	H	E	E	F	G	H
	3.0	F	G	H	H	-	E	F	G	H	H
	3.5	F	G	H	-	-	E	F	G	H	-
	4.0	G	G	H	-	-	E	F	H	H	-
	5.0	G	H	-	-	-	E	F	H	-	-
5.4	2.0	F	F	G	H	H	E	E	F	G	H
	2.8	F	G	H	H	-	E	F	G	H	H
	3.0	F	G	H	-	-	E	F	G	H	-
	4.0	G	H	H	-	-	E	F	H	-	-
	5.0	G	H	-	-	-	E	F	H	-	-
6.0	G	H	-	-	-	E	G	H	-	-	

STUDLOK™ LINTEL FIXING OPTIONS FOR ON-SITE

ALTERNATIVE TO TABLE 8.14 & FIGURE 8.12 NZS 3604:2011

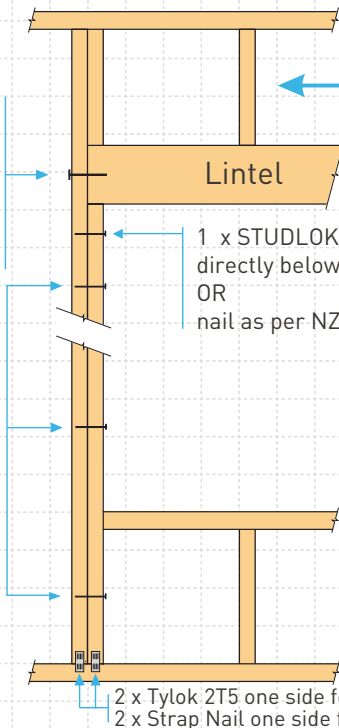
TYPE F 4.0kN

For Lintel 140mm min.
2 x STUDLOK SL125
(green)

Refer Detail 1 for
90mm Stud
Refer Detail 2 for
140mm Stud

STUDLOK SL80
(white)

Trimmer to
understud at
400mm crs.
OR
nail as per
NZS 3604:2011



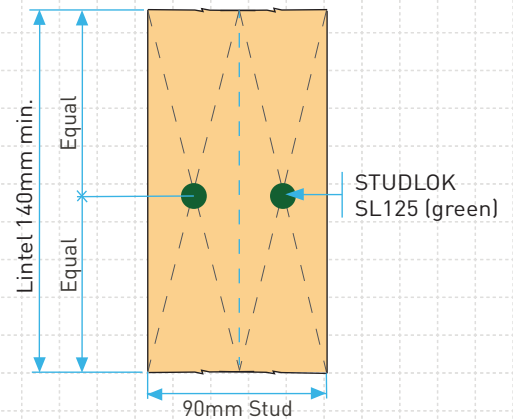
For fixing of jack studs
refer to Jack Stud to
Top Plate & Lintel
Fixing brochure

1 x STUDLOK SL80 (white)
directly below lintel
OR
nail as per NZS 3604:2011

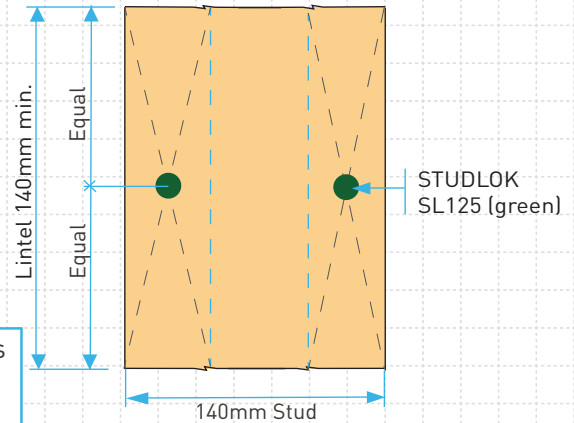
Stud numbers
indicative only.
Refer Table 8.5
NZS 3604:2011

2 x Tylok 2T5 one side for Radiata Pine OR
2 x Strap Nail one side for Douglas Fir

Detail 1



Detail 2



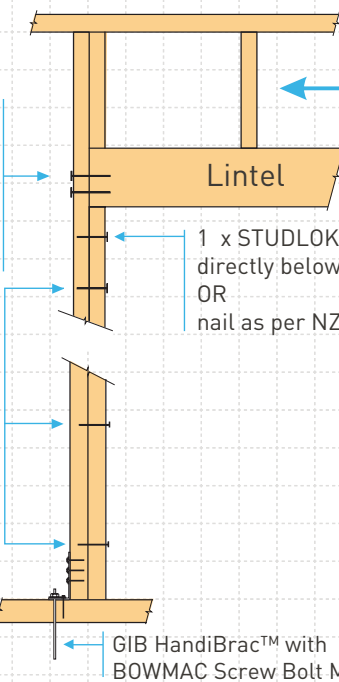
TYPE G 7.5kN

For Lintel 140mm min.
4 x STUDLOK SL125
(green)

Refer Detail 3 for
90mm Stud
Refer Detail 4 for
140mm Stud

STUDLOK SL80
(white)

Trimmer to
understud at
400mm crs.
OR
nail as per
NZS 3604:2011



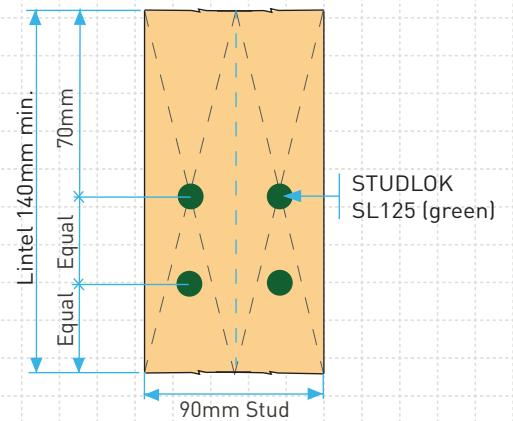
For fixing of jack studs
refer to Jack Stud to
Top Plate & Lintel
Fixing brochure

1 x STUDLOK SL80 (white)
directly below lintel
OR
nail as per NZS 3604:2011

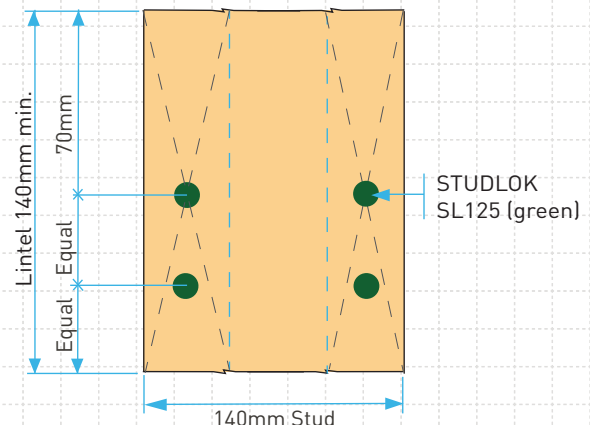
Stud numbers
indicative only.
Refer Table 8.5
NZS 3604:2011

GIB HandiBrac™ with
BOWMAC Screw Bolt M10 x 140mm

Detail 3



Detail 4



OR

STUDLOK SL80
(white)

Trimmer to
understud at
400mm crs.
OR
nail as per
NZS 3604:2011

400mm Sheet Brace Strap to one side
6 x 30mm x 3.15 dia. nails to stud

3 x 30mm x 3.15 dia. nails to
bottom plate

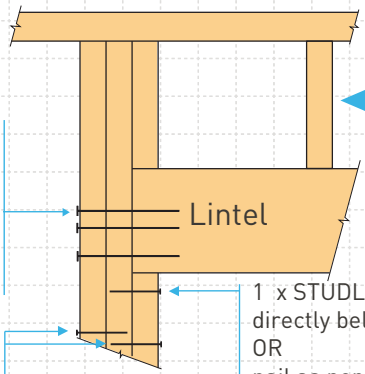
6 x 30mm x 3.15 dia. nails
to timber joist/bearer

STUDLOK™ LINTEL FIXING OPTIONS FOR ON-SITE

ALTERNATIVE TO TABLE 8.14 & FIGURE 8.12 NZS 3604:2011

TYPE H 13.5kN

For Lintel 190mm min.
6 x STUDLOK SL170
(blue)
Refer Detail 5 for
90mm Stud
Refer Detail 6 for
140mm Stud

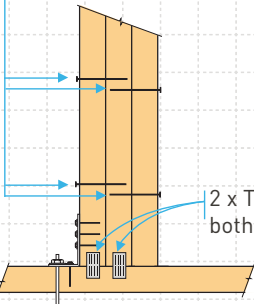


For fixing of jack studs
refer to Jack Stud to
Top Plate & Lintel
Fixing brochure

1 x STUDLOK SL80 (white)
directly below lintel
OR
nail as per NZS 3604:2011

STUDLOK SL80
(white)

Trimmer to
understud at
400mm crs.
both side
OR
nail as per
NZS 3604:2011



2 x Tylok 2T5
both sides

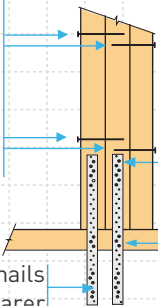
GIB HandiBrac™ with
BOWMAC Screw Bolt M10 x 140mm

Stud numbers
indicative only.
Refer Table 8.5
NZS 3604:2011

OR

STUDLOK SL80
(white)

Trimmer to
understud at
400mm crs.
both sides
OR
nail as per
NZS 3604:2011

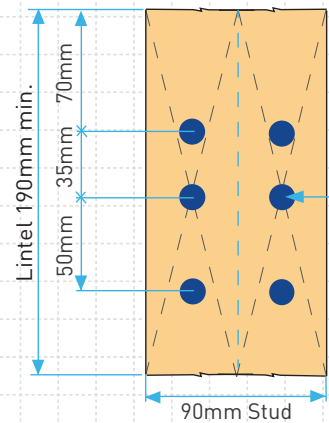


2 x 400mm Sheet Brace Straps to one side
6 x 30mm x 3.15 dia. nails to stud

3 x 30mm x 3.15 dia. nails to
bottom plate

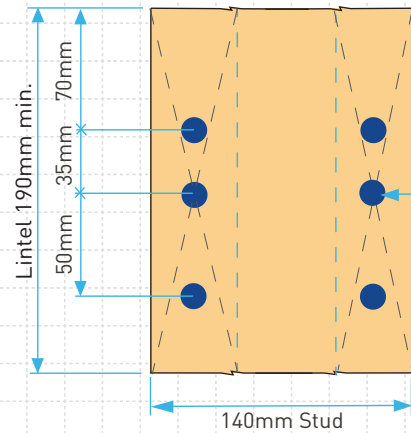
6 x 30mm x 3.15 dia. nails
timber joist/bearer

Detail 5



STUDLOK
SL170
(blue)

Detail 6



STUDLOK
SL170
(blue)

NOTE: STUDLOK TYPE F 4.0 kN fixing can be used for TYPE E 1.4 kN fixing