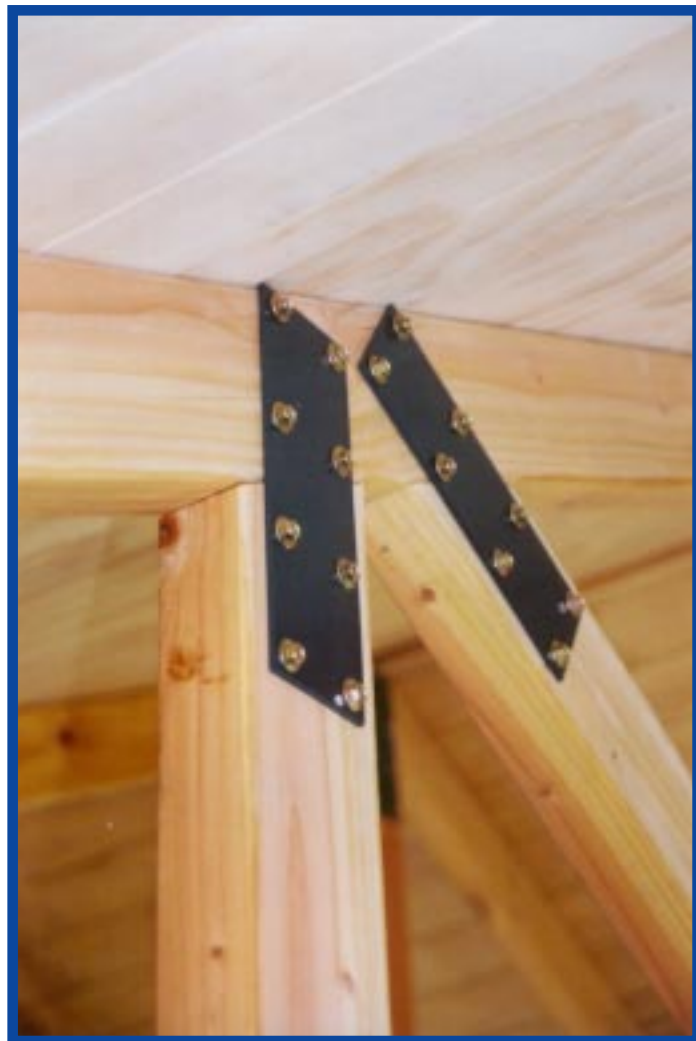




# XPOTRUSS



- ★ Ideal for the exposed architectural look.
- ★ Timber specification to suit the desired look.
- ★ Discuss with your Fabricator for choice of finish.
- ★ Attached with Hexagonal head heavy screws to give that bolted look.
- ★ Made by licensed **GANG-NAIL®** fabricators only.
- ★ Design options available on request to **MiTek New Zealand Ltd.**



## MiTek New Zealand Ltd.

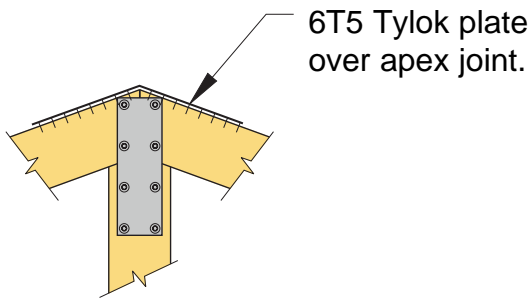
**AUCKLAND**  
 PO Box 58-014, Greenmount  
 Phone: (09) 274 7109  
 Fax: (09) 274 7100

**CHRISTCHURCH**  
 PO Box 8387, Riccarton  
 Phone: (03) 348 8691  
 Fax: (03) 348 0314

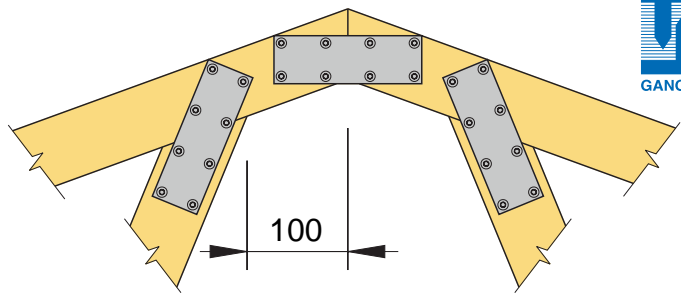
[www.mitek.nz.co.nz](http://www.mitek.nz.co.nz)

HOME OF **GANG-NAIL®** BUILDING SYSTEMS

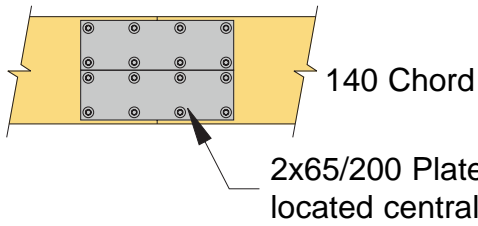
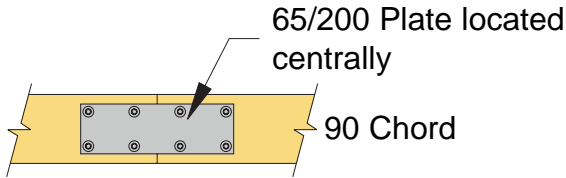
© Copyright 2002 MiTek Holdings, Inc.  
 All rights reserved.



**APEX JOINT**

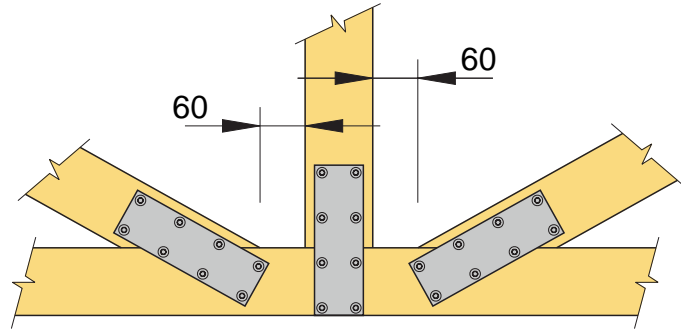


**ALTERNATIVE APEX JOINT**

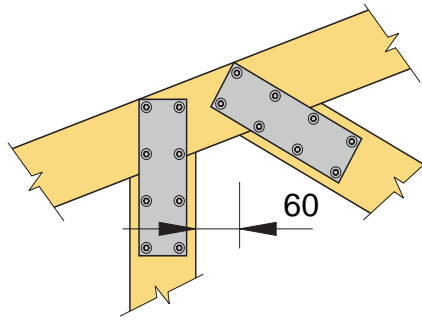


**TOP AND BOTTOM CHORD SPLICE**

- ★ All web plates located centrally across joint unless otherwise noted.
- ★ All web plates are 65/200 type.
- ★ All heel plates 130/150 type unless noted otherwise.

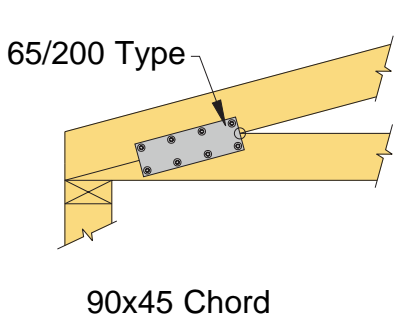


**CENTRE WEB JOINT**

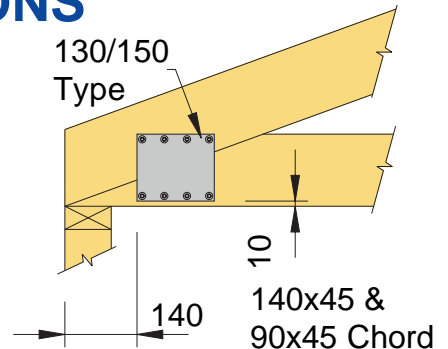
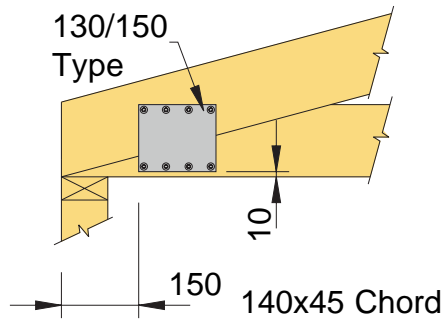


**WEB JOINT**

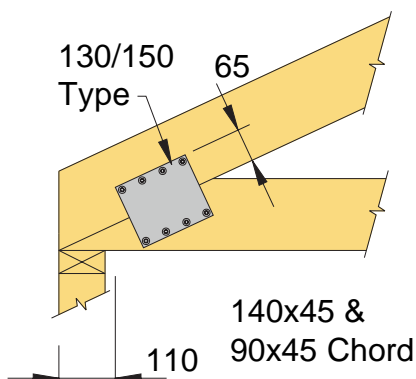
**TYPICAL JOINT OPTIONS**



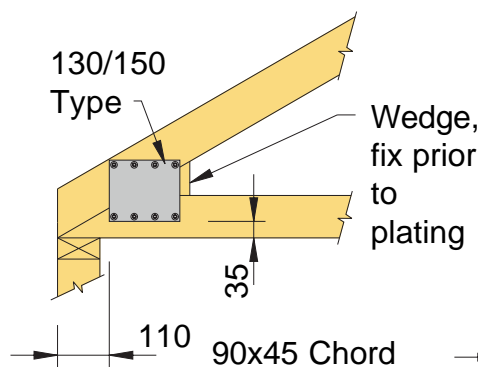
**15° TRUSS**



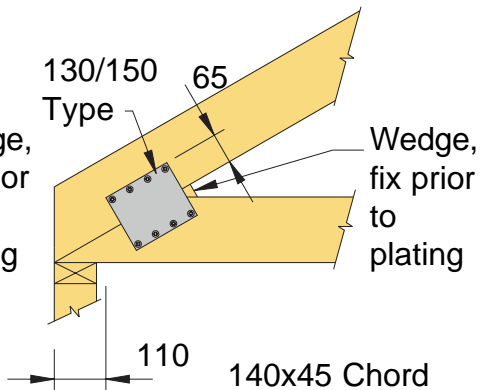
**20° TRUSS**



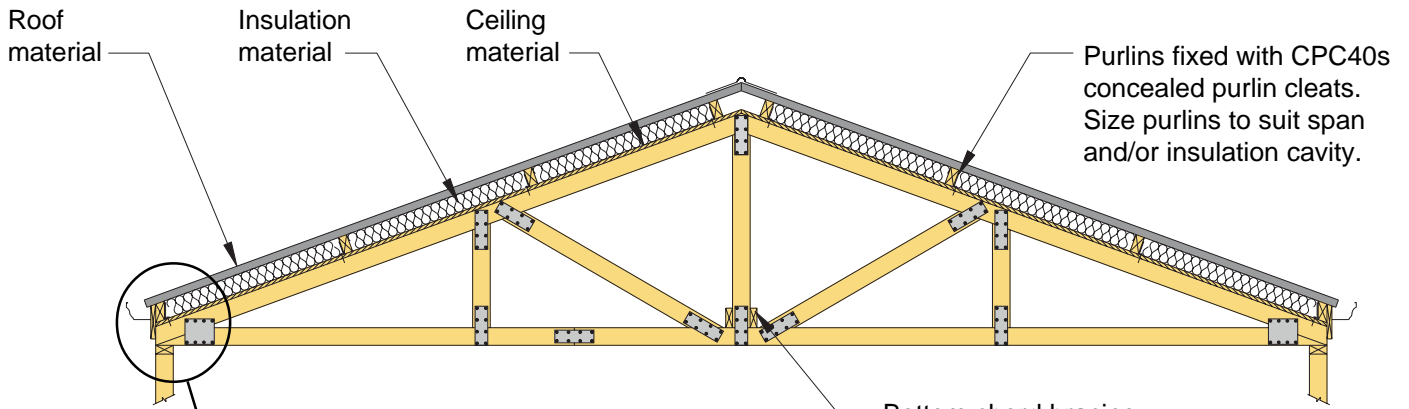
**25° TRUSS**



**30° TRUSS**

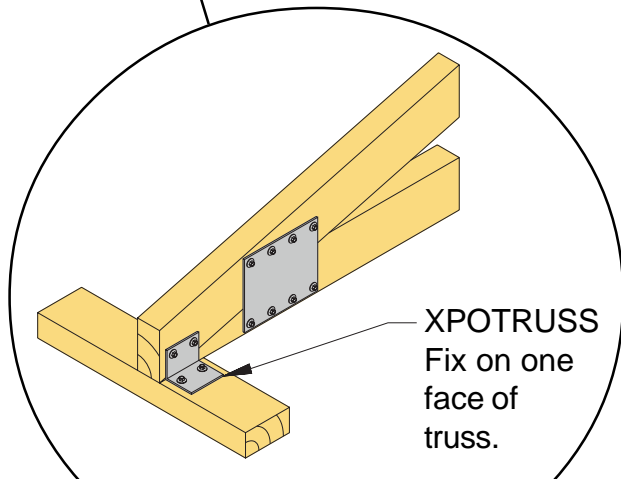


**HEEL JOINT OPTIONS**

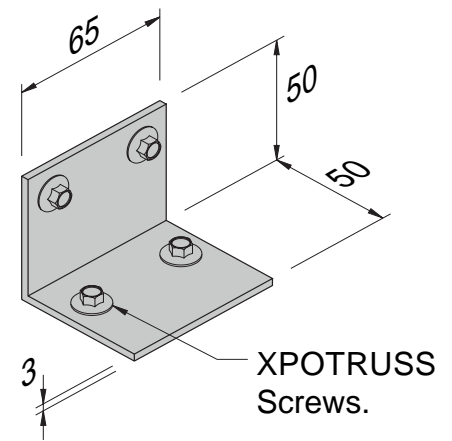


## ROOF AND CEILING OPTION 1

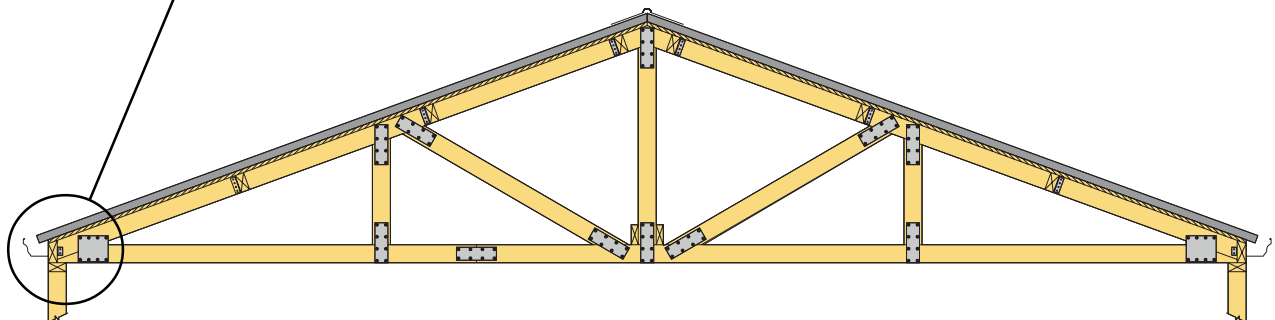
(Provides insulation gap)



## TYPICAL TRUSS FIXING

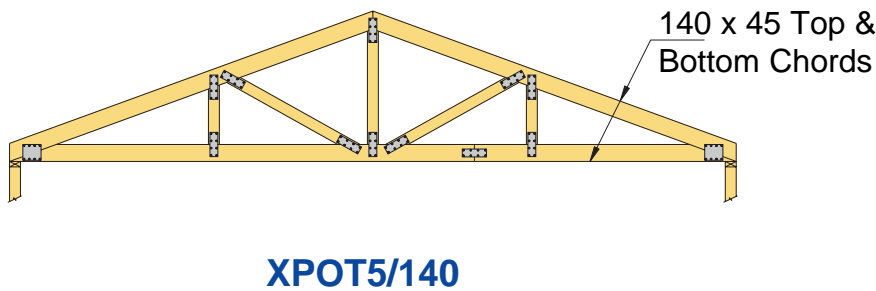
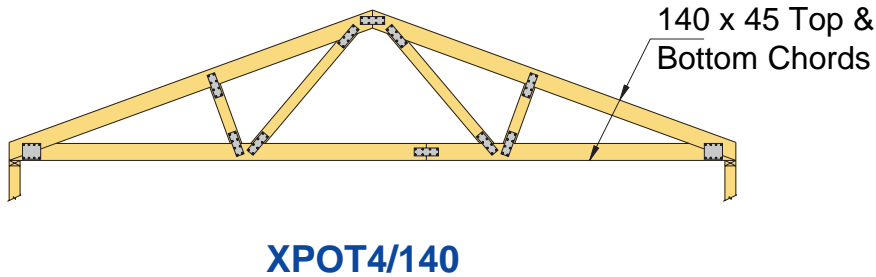
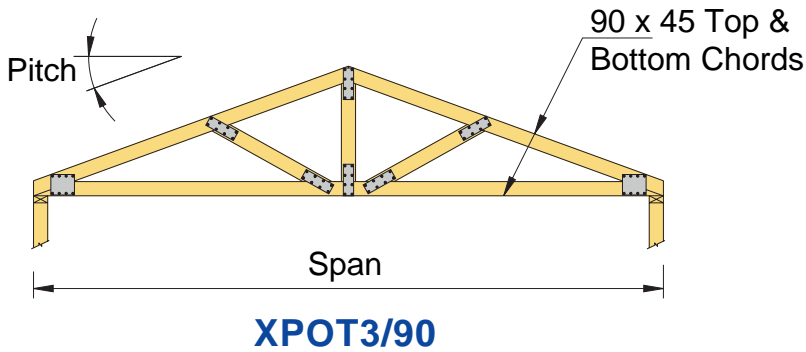


## XPOTRUS FIX



## ROOF AND CEILING OPTION 2

(No insulation gap)



**NOTE:**

- ★ All webs 90x45

## TRUSS TYPES

### PRODUCER STATEMENT XPOTRUSS Selection Manual

The selection charts and manufacturing details contained within this Manual have been designed to comply with the relevant requirements of NZS4203 and NZS3603 of the approved documents issued by the Building Industry Authority and in accordance with sound and widely accepted engineering principles.

For and on behalf of MiTek New Zealand Ltd,



**David Reid**

BE(Civil), M.IPENZ, Registered Engineer

Date: 1 September 2002

### PRODUCT DESCRIPTION

Plating and screw options available:

- ★ Electro Galvanised
- ★ Hot Dip Galvanised
- ★ Stainless Steel type 304

Truss Type	Max. span (mm)	Max. Truss Centres (mm)		Load Criteria
		Light Roof	Heavy Roof	
<b>XPOT3/90</b>	4000	1200 (15° to 30° Pitch)	900 (22.5° to 30° Pitch)	<ul style="list-style-type: none"> <li>• Roof weight: Light - 0.25kPa Heavy - 0.65kPa</li> <li>• Ceiling weight: Light - 0.20kPa (on top chord)</li> <li>• Wind Load: High (44m/s)</li> <li>• Snow Load: 0.50kPa</li> <li>• Earthquake: A, B or C</li> </ul>
<b>XPOT4/140 &amp; XPOT5/140</b>	8000	1200 (15° to 30° Pitch)	900 (22.5° to 30° Pitch)	
	9600	900 (15° to 30° Pitch)	-	

## SELECTION CHART