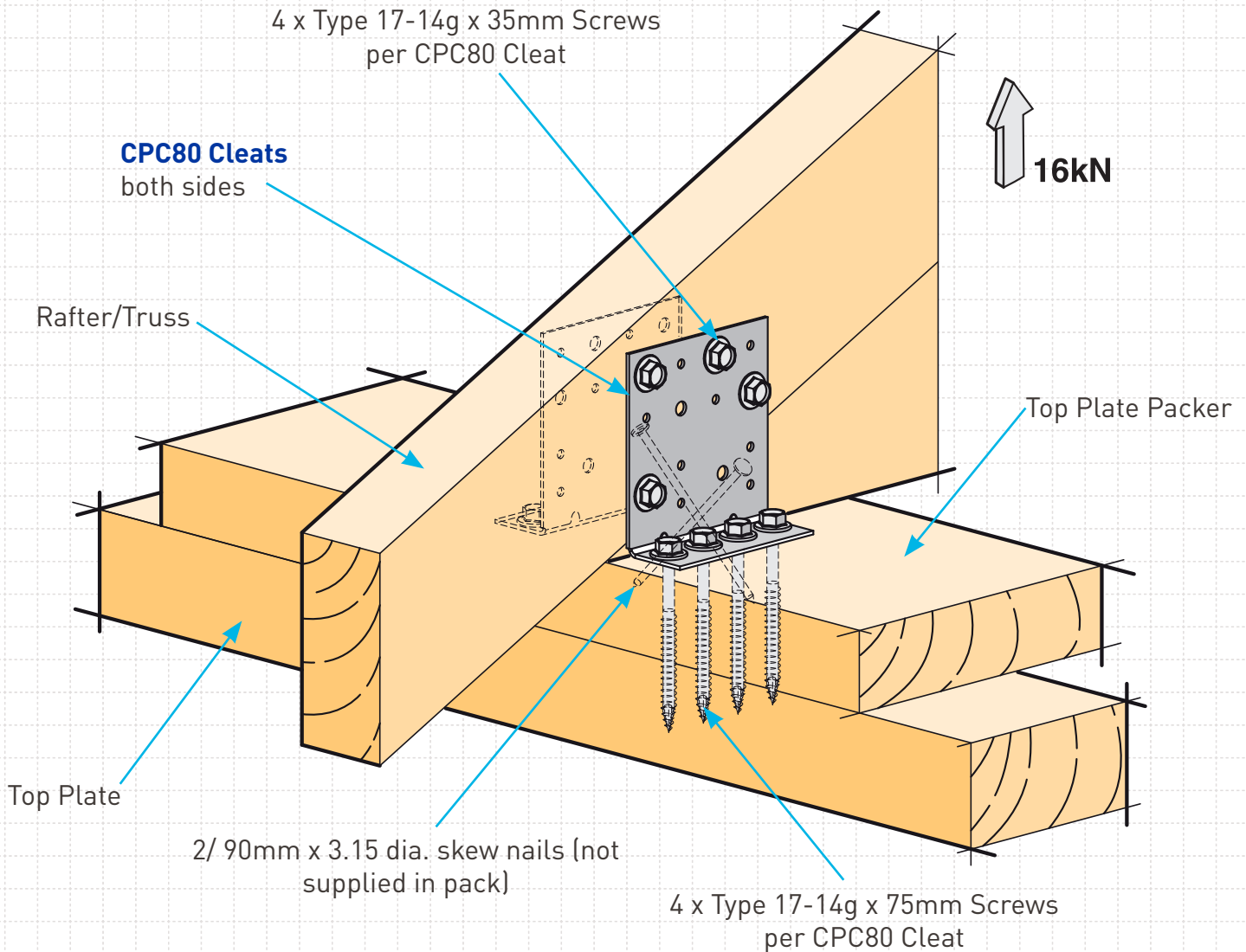


16kN TRUSS TO TOP PLATE FIXING

COMPLIES WITH TABLE 10.15 NZS 3604:2011

→ Top mounted fixing allows additional face fixing if required.



Code: 16KNTTP

Material: CPC80 1.55mm G300 Z275 Galvanised Steel

Packed: 2 x CPC80 Cleats

8 x Type 17-14g x 35mm Hex Head Galvanised Screws

8 x Type 17-14g x 75mm Hex Head Galvanised Screws

AVAILABLE FROM LEADING BUILDERS SUPPLY MERCHANTS THROUGHOUT NEW ZEALAND

