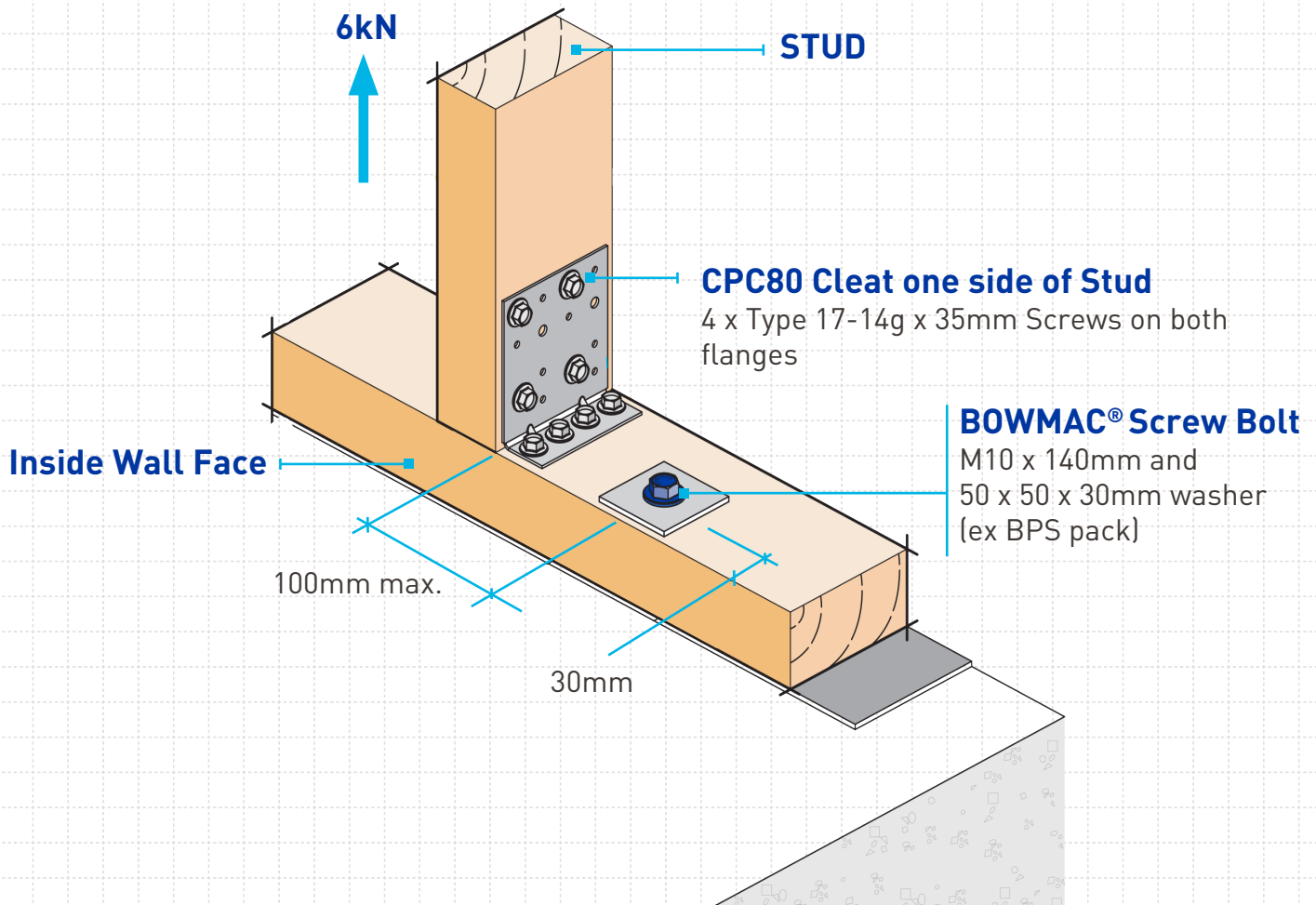


6kN STUD TO BOTTOM PLATE FIXING

IDEAL AS RETRO FIT FIXING AFTER LINING/CLADDING INSTALLED

FOR CONCRETE
FLOOR SLABS



CODE: SBP
MATERIAL: CPC80 1.55mm G300 Z275 Galvanised Steel
PACKED: 2 x CPC80 Cleats
16 x Type 17-14g x 35mm Hex Head Galvanised Screws

AVAILABLE FROM LEADING BUILDERS SUPPLY MERCHANTS THROUGHOUT NEW ZEALAND

MiTek®
LUMBERLOK®
Timber Connectors

www.mitek.nz.co.nz

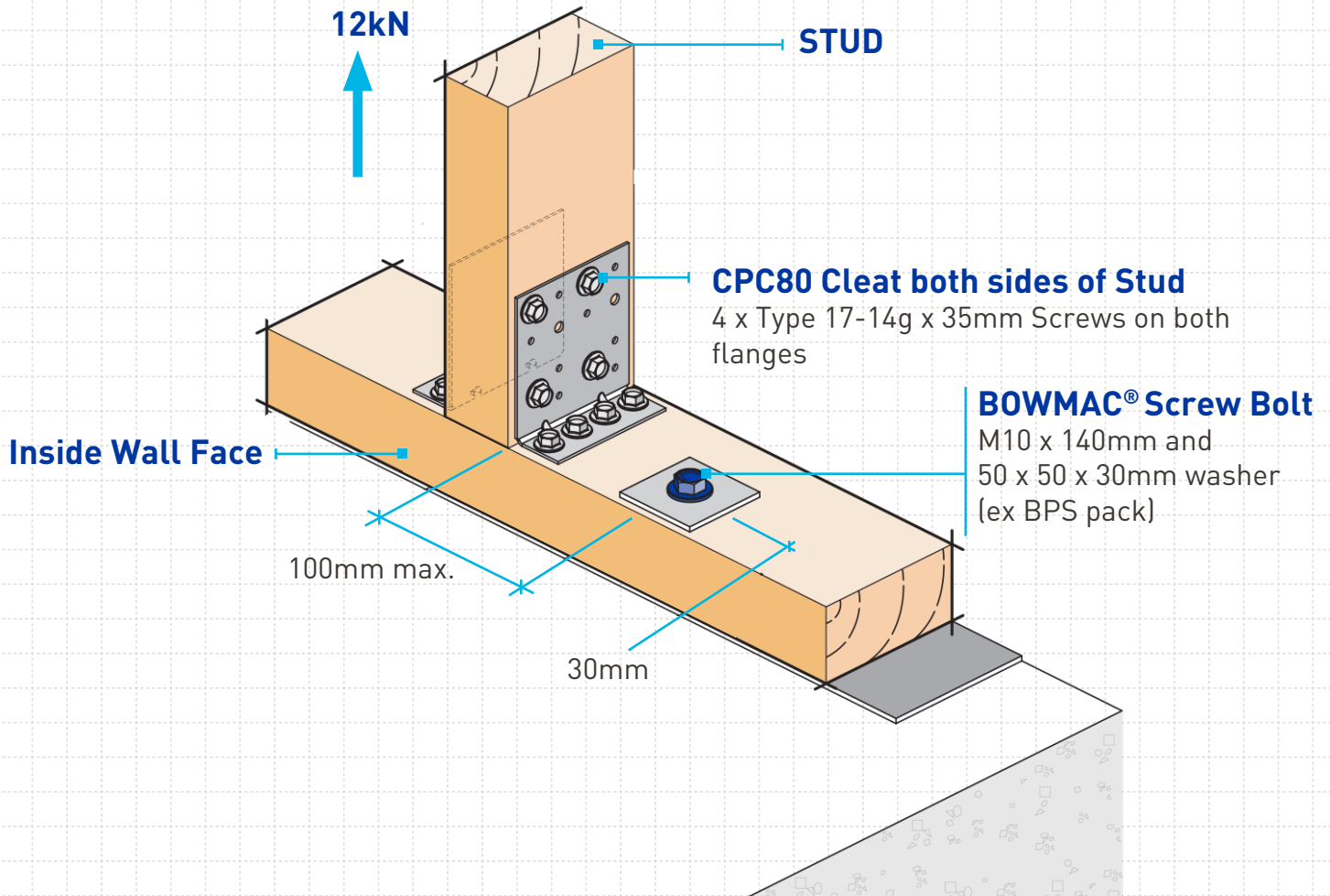
© Copyright 2020 MiTek Holdings, Inc. All rights reserved. Feb 2020



12kN STUD TO BOTTOM PLATE FIXING

IDEAL AS RETRO FIT FIXING AFTER LINING/CLADDING INSTALLED

FOR CONCRETE
FLOOR SLABS



CODE: SBP
MATERIAL: CPC80 1.55mm G300 Z275 Galvanised Steel
PACKED: 2 x CPC80 Cleats
16 x Type 17-14g x 35mm Hex Head Galvanised Screws

AVAILABLE FROM LEADING BUILDERS SUPPLY MERCHANTS THROUGHOUT NEW ZEALAND

