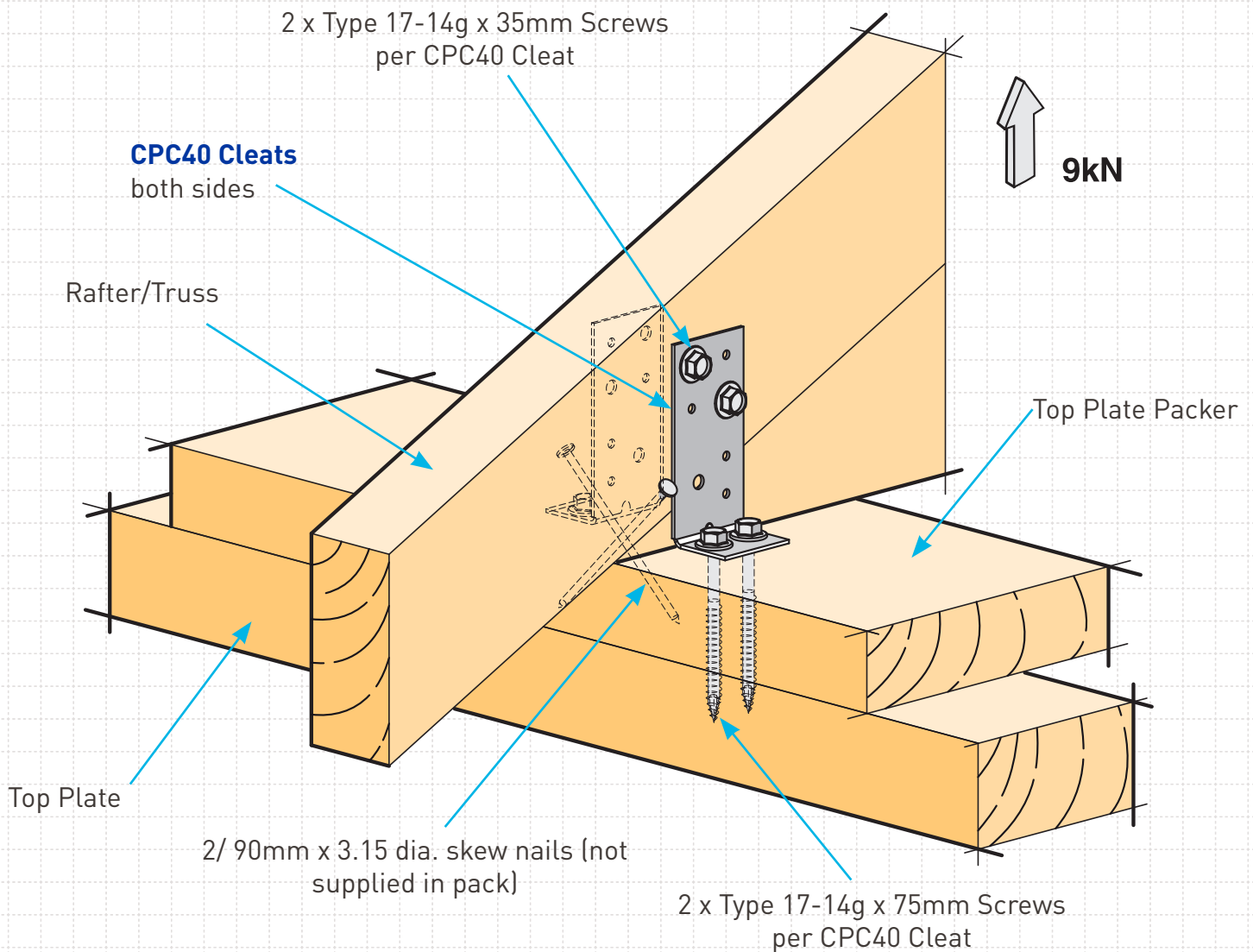


# 9kN TRUSS TO TOP PLATE FIXING

COMPLIES WITH TABLE 10.15 NZS 3604:2011

→ Top mounted fixing allows additional face fixing if required.



- Code:** 9KNTTP  
**Material:** CPC40 1.55mm G300 Z275 Galvanised Steel  
**Packed:** 2 x CPC40 Cleats  
4 x Type 17-14g x 35mm Hex Head Galvanised Screws  
4 x Type 17-14g x 75mm Hex Head Galvanised Screws

AVAILABLE FROM LEADING BUILDERS SUPPLY MERCHANTS THROUGHOUT NEW ZEALAND

