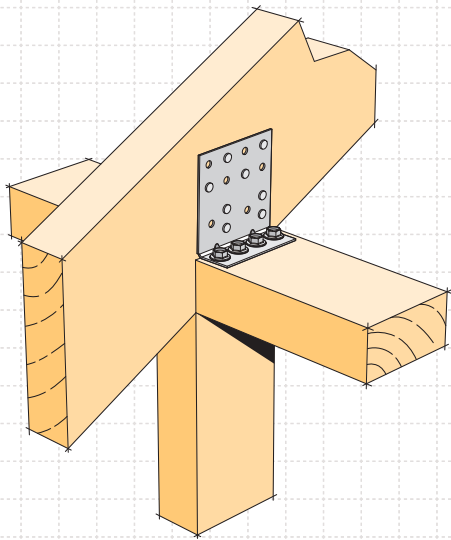


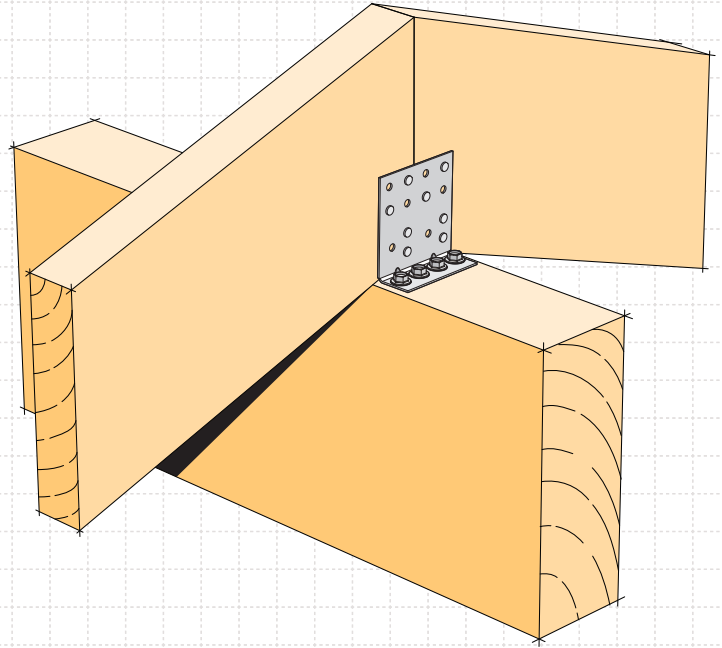
CONCEALED PURLIN CLEATS

RESISTS HIGH WIND UPLIFT - QUICK AND EASY TO APPLY

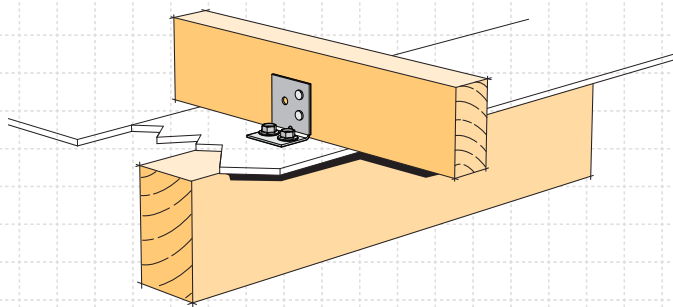
USE STAINLESS STEEL
OPTION IN EXTERIOR
SITUATION



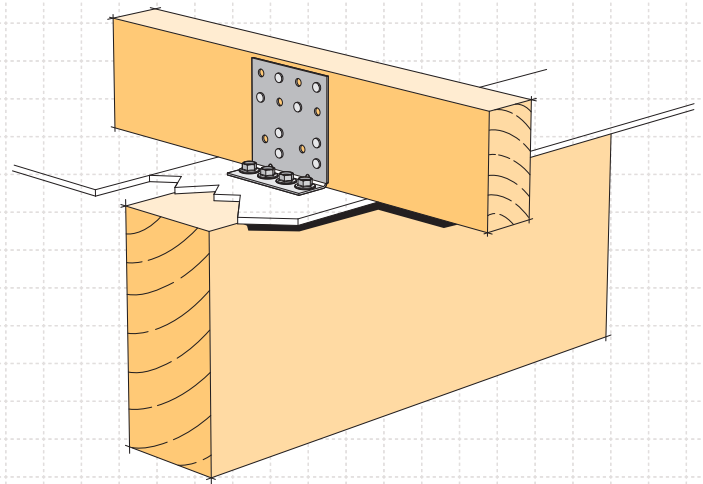
EXPOSED RAFTER TO WALL FIXING



EXPOSED RAFTER TO RIDGE BEAM FIXING



PURLIN TO EXPOSED RAFTER FIXING
CPC40S SHOWN



PURLIN TO EXPOSED RAFTER FIXING
CPC80 SHOWN

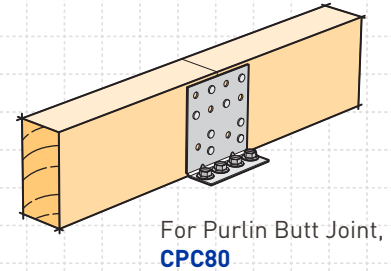
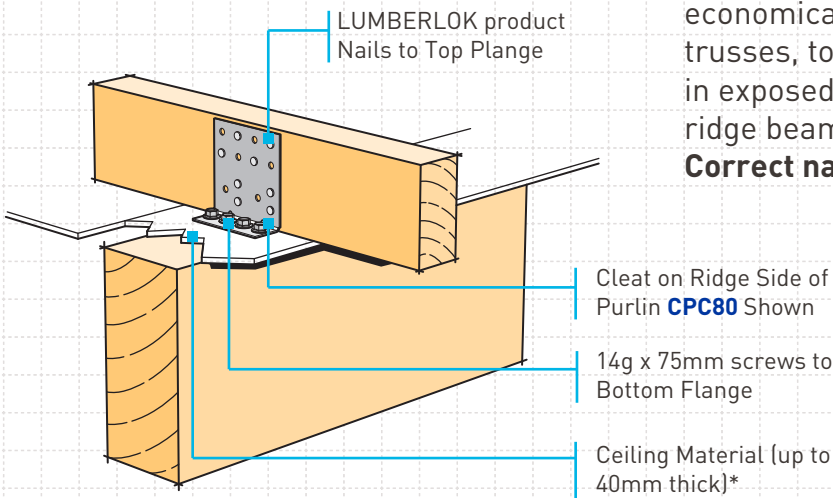
AVAILABLE FROM LEADING BUILDERS SUPPLY MERCHANTS THROUGHOUT NEW ZEALAND



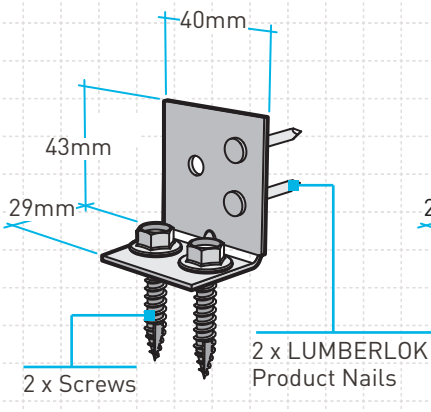
CONCEALED PURLIN CLEATS

LUMBERLOK Concealed Purlin Cleats provide an economical fixing for purlins to exposed rafters or trusses, to resist wind uplift. They can also be used in exposed-to-view situations, such as a rafter to ridge beam or top plate situation.

Correct nailing is most important. See below.



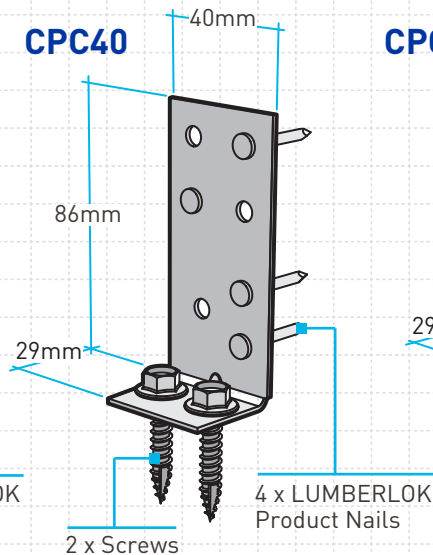
CPC40S (short)



Rafter Width (nominal)

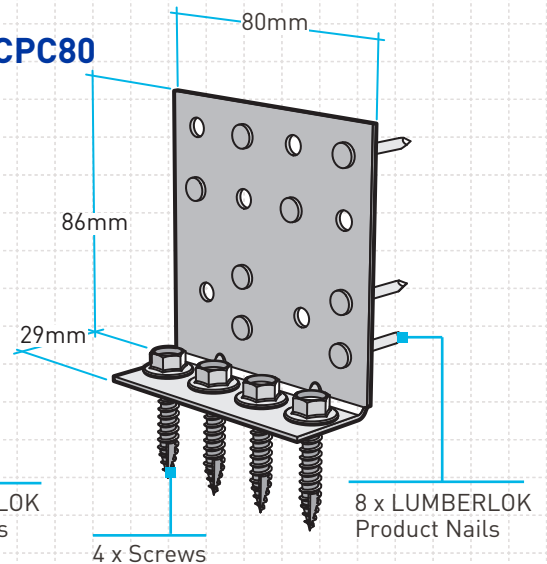
50mm

CPC40

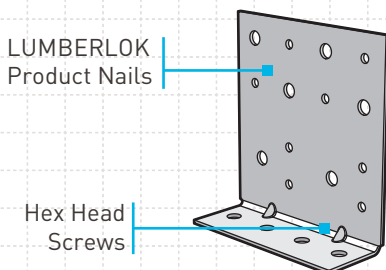


50mm

CPC80



100mm



FIXING:

To Top Flange: LUMBERLOK Product Nails 30mm x 3.15 dia. or Type 17-14g x 35mm Hex Head Screws

Bottom Flange: Type 17-14g x 35mm Hex Head Screws

*Note: with ceiling materials use Type 17-14g x 75mm Screws

Note: For Stainless Steel CPC use Stainless Steel Screws and Nails

Uplift Direction	CPC40S	CPC40	CPC80
Characteristic Load	4kN/pair	8kN/Pair	16kN/Pair
Fix as shown with: LUMBERLOK product nails 30mm x 3.15 dia. Type 17-14g x 35mm Hex Head Screws*			

MATERIAL:

1.55mm G300 Z275 Galvanised Steel or 0.9mm Stainless Steel 304-2b (SSCPC40S
1.5mm Stainless Steel 304-2B (SSCPC40 and SSCP80)