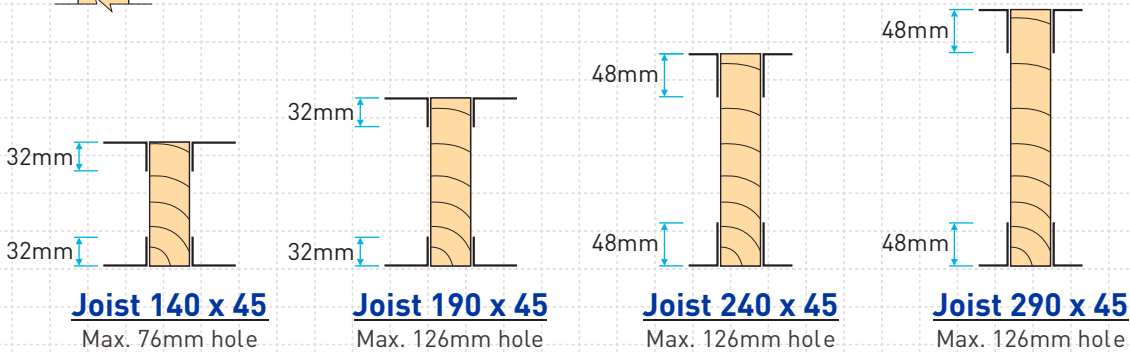
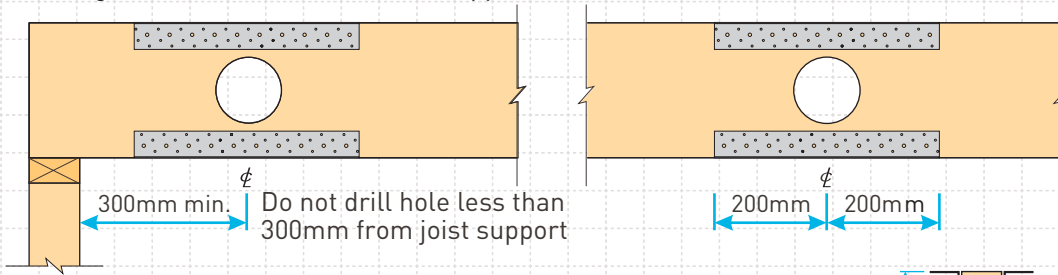
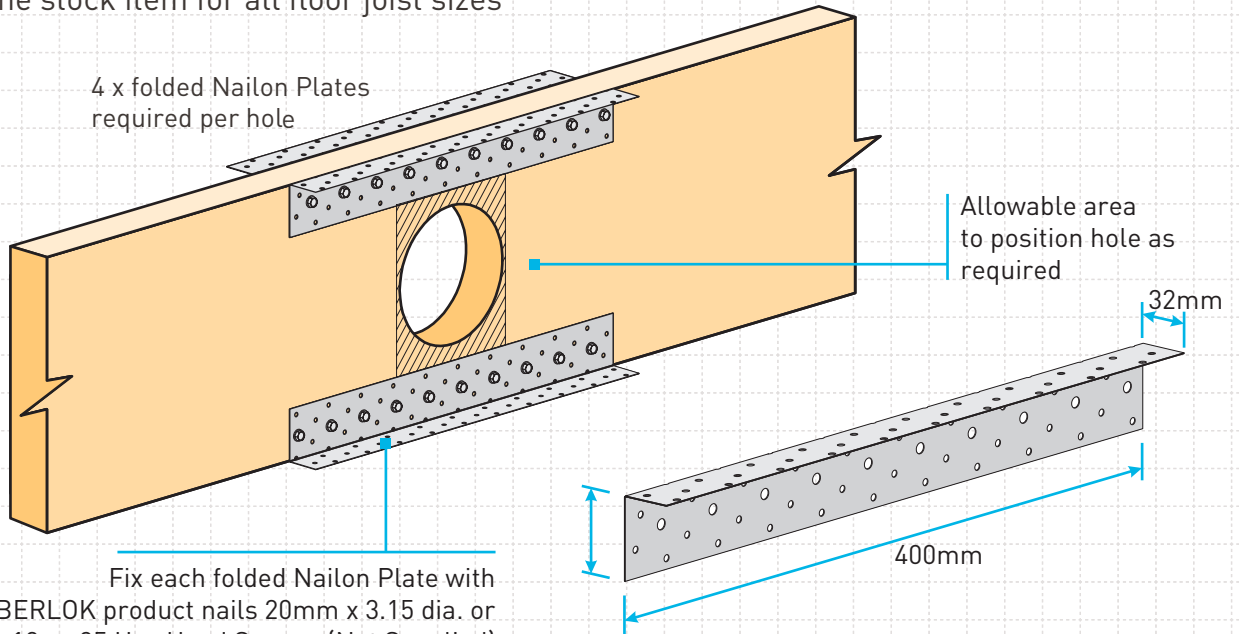


FLOOR JOIST STIFFNER

SUITABLE FOR RUNNING PIPES/DUCTING THROUGH JOISTS

- Maintains timber joist strength and stiffness
- Allows flexibility of hole location within specific area
- Able to be retro fitted after pipes/ducting are installed
- One stock item for all floor joist sizes



Code: FJS
Material: 1.55mm G300 Z275 Galvanised Steel
Packed: 8 x folded Nylon Plate per carton

AVAILABLE FROM LEADING BUILDERS SUPPLY MERCHANTS THROUGHOUT NEW ZEALAND

