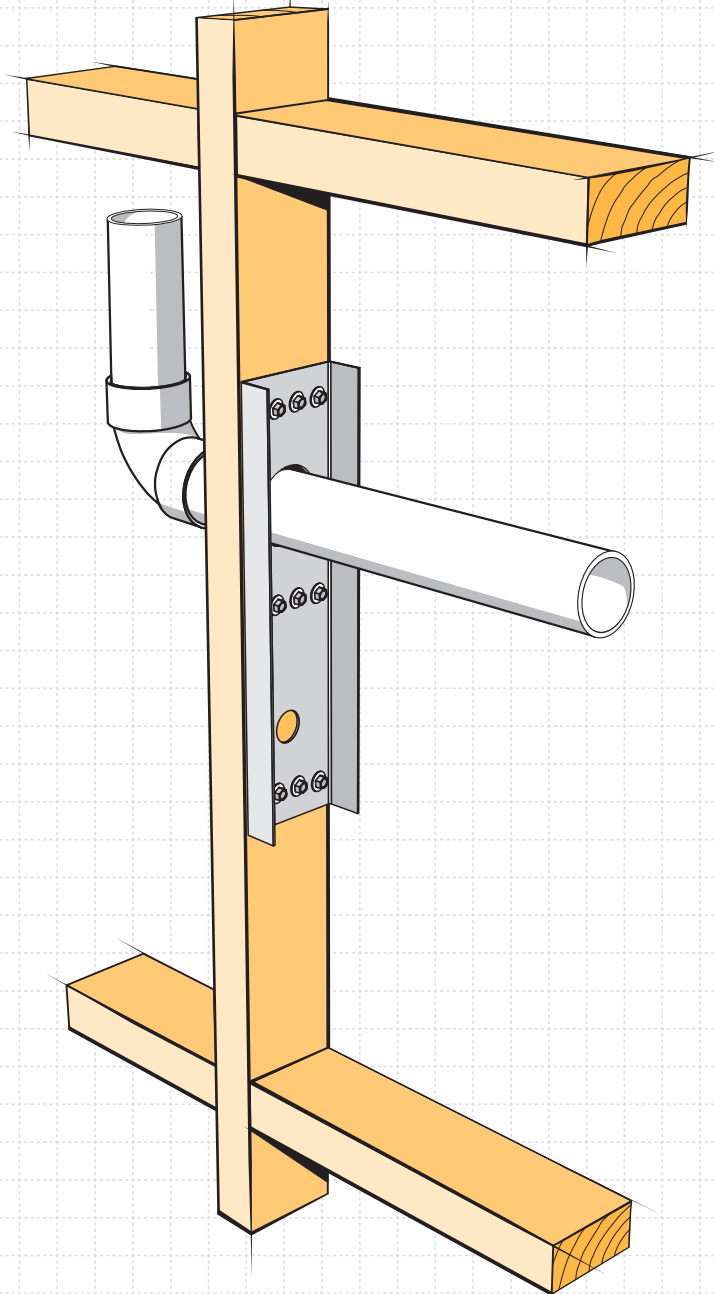


FRAMING STUD STIFFENER

FOR DUCTING THROUGH TIMBER STUDS

- Reinforces 90 x 45mm timber studs back to FULL STRENGTH
- Solution to include holes up to 60mm diameter
- Refer Clause 8.5.1.6 NZS 3604:2011



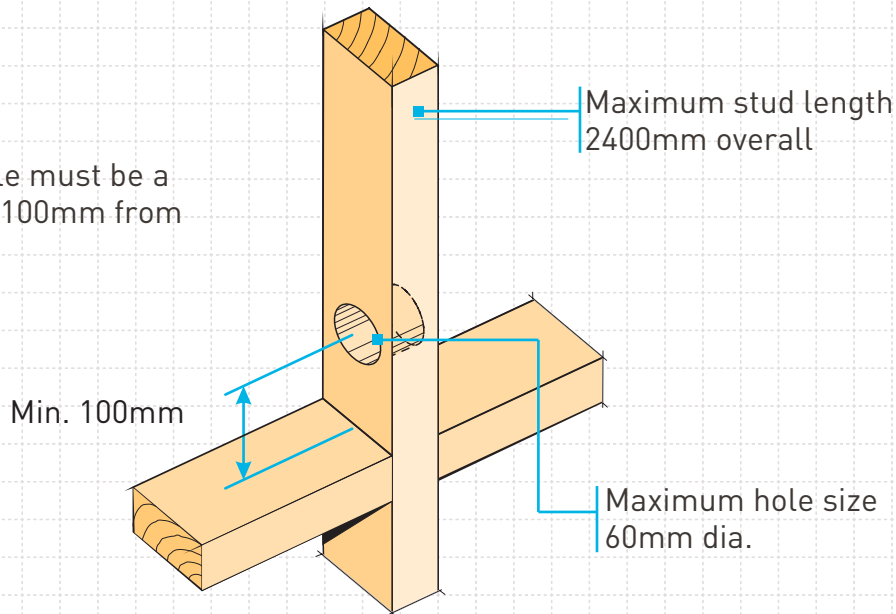
NZ reg. Design
App. 408133 © 2006
MiTek New Zealand

AVAILABLE FROM LEADING BUILDERS SUPPLY MERCHANTS THROUGHOUT NEW ZEALAND



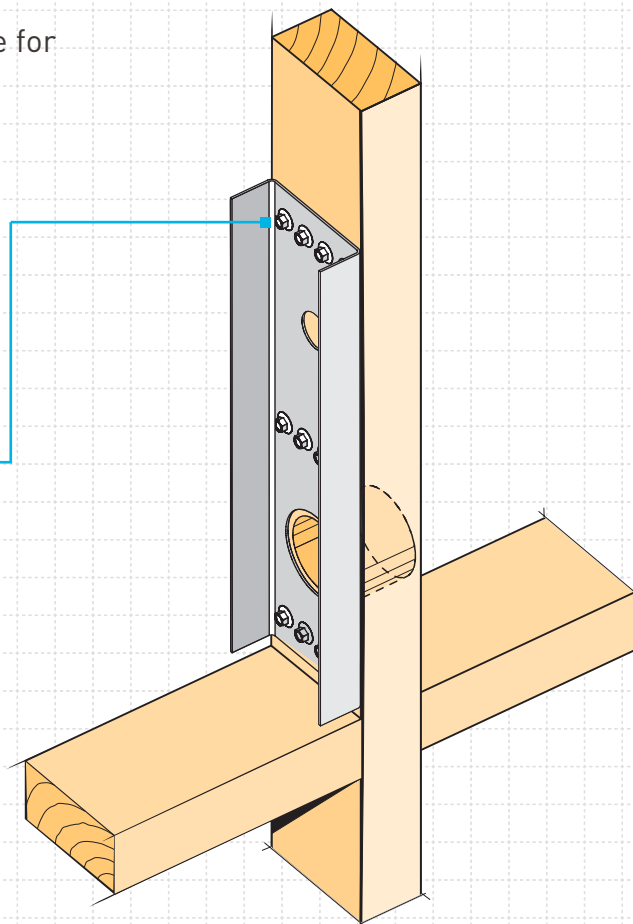
FRAMING STUD STIFFENER

Centre of hole must be a minimum of 100mm from nog location



Note: Use Stud Stiffener as template for drilling 60mm hole

Fix to side of stud with 3 rows of 4 x Type 17-14g x 35mm Hex Head Screws (supplied)



Code: FSS
Material: 1.55mm G300 Z275 Galvanised Steel
Packed: 8 x Framing Stud Stiffeners per carton
100 x Type 17-14g x 35mm hex head Galvanised Screws