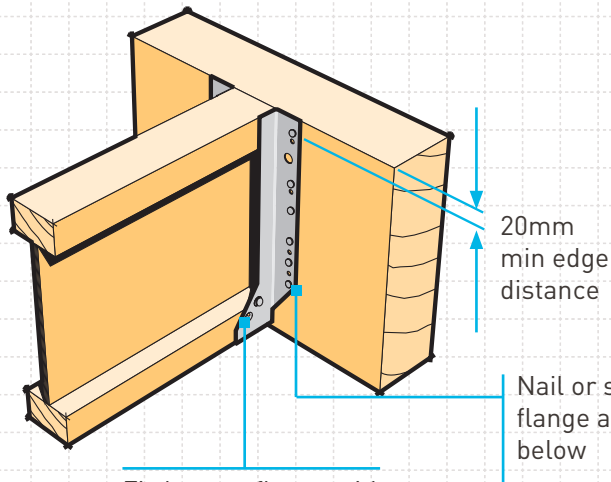


I-BEAM HANGERS

FOR FACE FIXING OF I-BEAMS TO FLOOR BEAMS

The I-Beam Hanger Face Fix has been developed to provide an effective method of fixing timber I-Beams to supporting timber beams in floor situations.

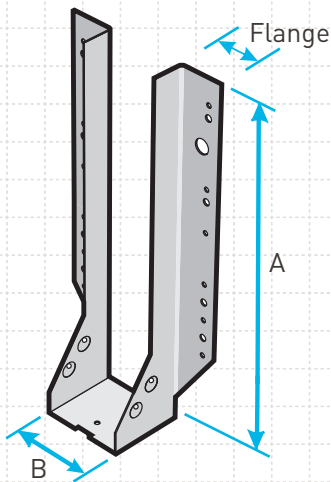


Fix I-Beam Hanger with 40mm x 3.75 dia. galvanised nails to face of supporting beam through small holes (4mm dia.). Alternatively use Type 17-12g x 35mm screws in the larger holes (6mm dia.).

Fix bottom of I-Beam flange using 2 x 40mm x 3.75 dia. galvanised nails. Select one dimple each side of the I-Beam which will allow a 40mm long nail to be driven fully home at a 45° angle.

Fix bottom flange with 1 skew nail to each side

Nail or screw each flange as per table below



JOIST HANGER TYPE	Characteristic Load - Nails		Characteristic Load - Screws	
	No. of Nails per Flange	Down	No. of Screws per Flange	Down
IBHF20090	4	9.6 kN	2	10.0 kN
IBHF24050	5	12.0 kN	3	15.0 kN
IBHF24055	5	12.0 kN	3	15.0 kN
IBHF24065	5	12.0 kN	3	15.0 kN
IBHF24090	5	12.0 kN	3	15.0 kN
IBHF30050	6	14.4 kN	4	24.0 kN
IBHF30065	6	14.4 kN	4	24.0 kN
IBHF30090	6	14.4 kN	4	24.0 kN
IBHF36065	7	16.8 kN	5	24.0 kN*
IBHF36090	7	16.8 kN	5	24.0 kN*
IBHF40090	8	19.2 kN	6	24.0 kN*

Fix with 40mm x 3.75 dia. nails
Additional 2 nails required for fixing bottom flange

Fix with Type 17-12g x 35mm Hex Head Screws

* Maximum Hanger Load

Definition:

Example IBHF30065

IBHF = Face Fix

300 = Height (A)

65 = Width (B)

Material:

1.15 G300 Z275 Galvanised Steel

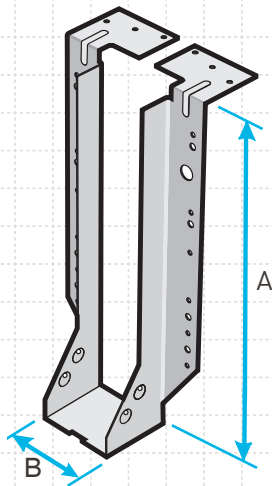
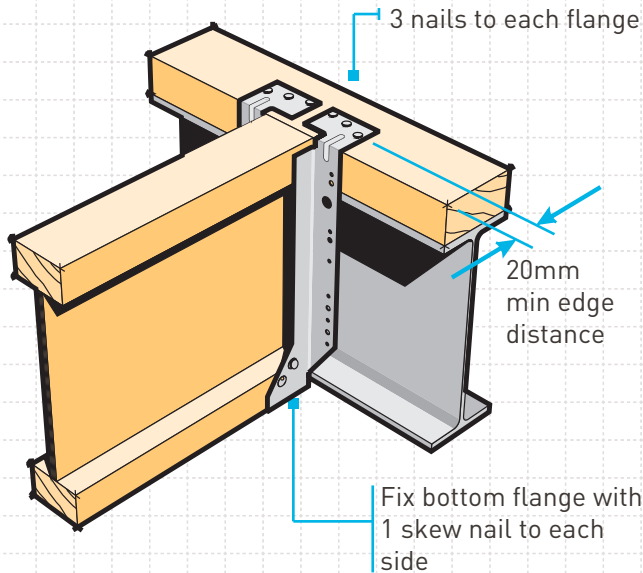
AVAILABLE FROM LEADING BUILDERS SUPPLY MERCHANTS THROUGHOUT NEW ZEALAND



I-BEAM HANGERS

FOR TOP FIXING OF I-BEAMS TO FLOOR BEAMS

The I-Beam Hanger Top Fixed has been developed to provide an effective method of fixing timber I-Beams to supporting timber beams in floor situations.



Fix I-Beam Hanger to top of timber with 6 x 40mm x 3.75 dia. galvanised nails.

Fix bottom I-Beam flange using 2 x 40mm x 3.75 dia. galvanised nails. Select one dimple each side of the I-Beam which will allow a 40mm long nail to be driven fully home at a 45° angle

JOIST HANGER TYPE	Characterisitic Load - Nails	
	No. of Nails per Flange	Down
IBHT20050	6	13.8 kN
IBHT24055	6	13.8 kN
IBHT24065	6	13.8 kN
IBHT24090	6	13.8 kN
IBHT30065	6	13.8 kN
IBHT30090	6	13.8 kN
IBHT36065	6	13.8 kN
IBHT36090	6	13.8 kN
IBHT40090	6	13.8 kN

Fix with 40mm x 3.75 dia. nails. Additional 2 nails required for fixing bottom flange

Definition:

Example IBHF30065

IBHT= Top Fix

300 = Height (A)

65 = Width (B)

Material:

1.15 G300 Z275 Galvanised Steel

AVAILABLE FROM LEADING BUILDERS SUPPLY MERCHANTS THROUGHOUT NEW ZEALAND

