

GANG-NAIL[®]

INTERNAL WALL BRACKET

FOR FIXING NON LOAD BEARING WALLS TO TRUSSES

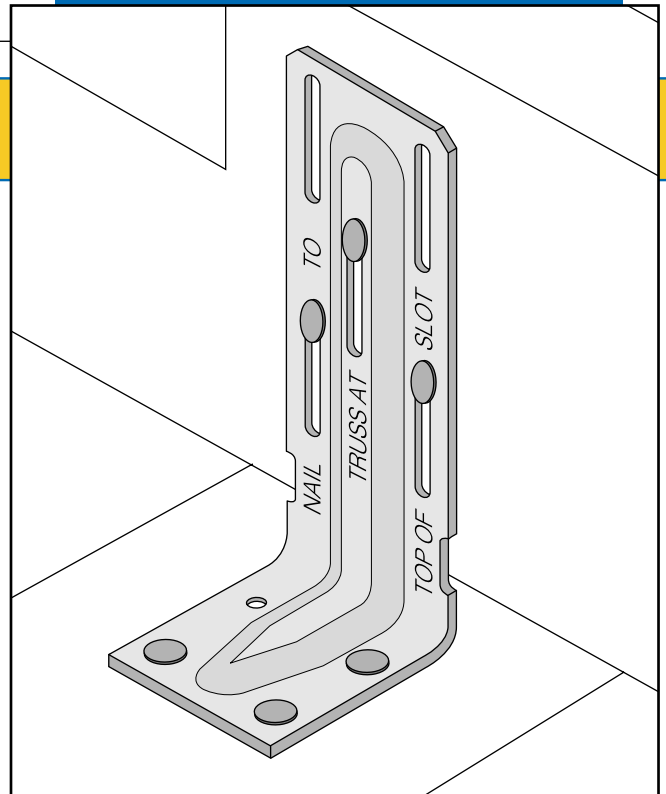
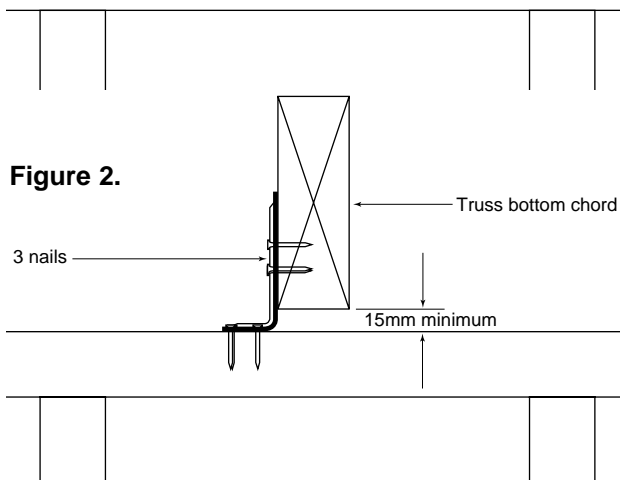
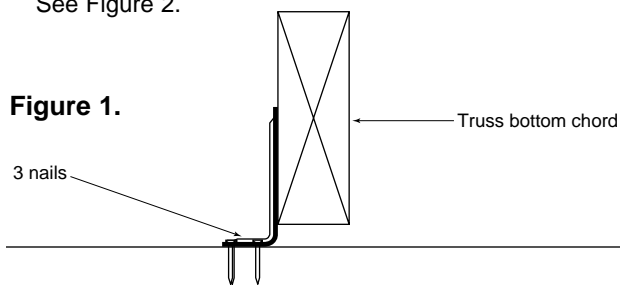
APPLICATION

Internal Wall Brackets are used on internal walls to provide restraint against lateral movement of wall top plates.

Use Internal Wall Brackets where the unrestrained distance exceeds 1.8m.

INSTALLATION:

1. Fix bracket to top plate with three 30 x 2.8mm galvanized reinforced head nails. See Figure 1
2. Fix to truss using three 30 x 2.8mm galvanized reinforced head nails to top of slot. Place nails in the 3 lowest slots available, ensuring minimum distance of 15mm is maintained to bottom edge of truss chord. See Figure 2.



USES

Internal Wall Brackets are used to fasten the top of internal non load bearing walls to trusses.

ADVANTAGES

- *Internal Wall Brackets are designed to restrain walls while allowing the truss to free span.*

Mi[®]
MiTek[®]

creating the **advantage**

GANG-NAIL®

INTERNAL WALL BRACKET

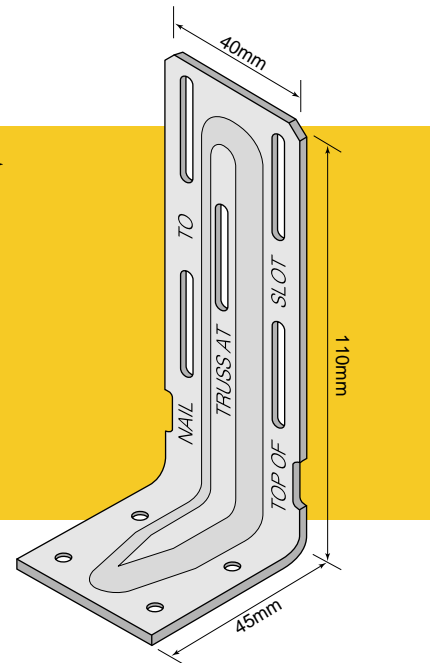
FOR FIXING NON LOAD BEARING WALLS TO TRUSSES

SPECIFICATION:

Steel: Grade G300
Thickness 1.0 mm
Galvanized coating Z275

Nails: Gang-Nail 30 x 2.8mm galvanized reinforced head.

Product Code:
IWB



MiTek Australia Ltd.

ABN 98 004 564 587
46 Monash Drive Lyndhurst
Victoria 3975 Australia
Telephone 03 8795 8888
Facsimile 03 9702 9464
Web site www.mitek.com.au

New South Wales 02 9609 8700
Queensland 07 3268 1666
South Australia 08 8234 1326
Western Australia 08 9411 2845
New Zealand 09 274 7109
Malaysia 603 3176 7473

MiTek®
MiTek®

creating the **advantage**