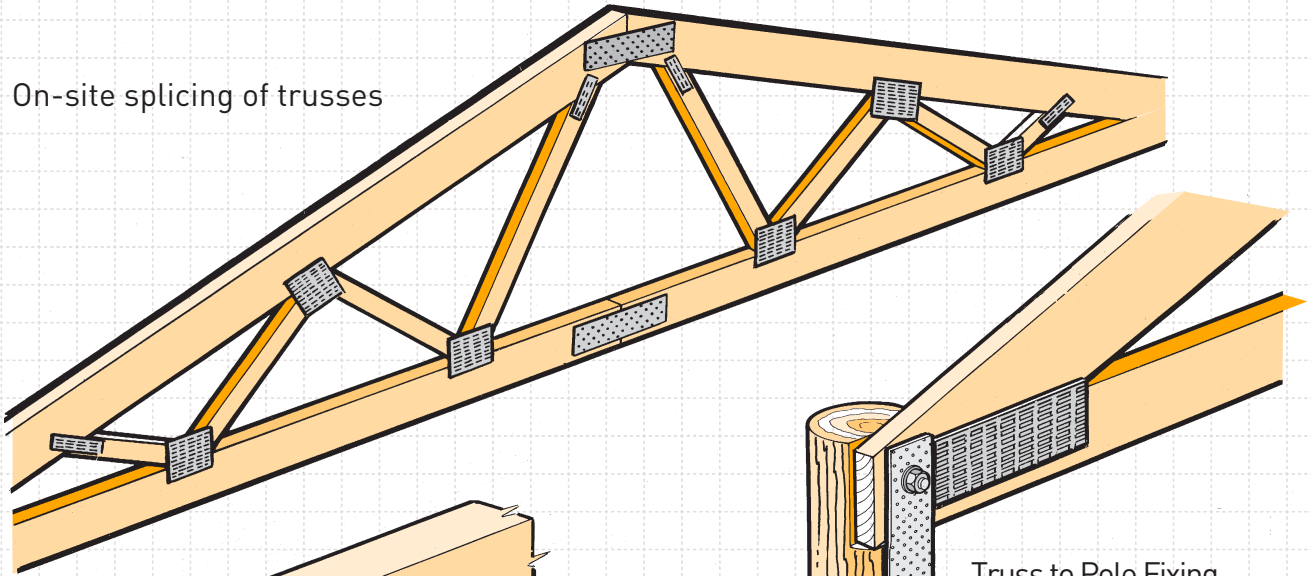


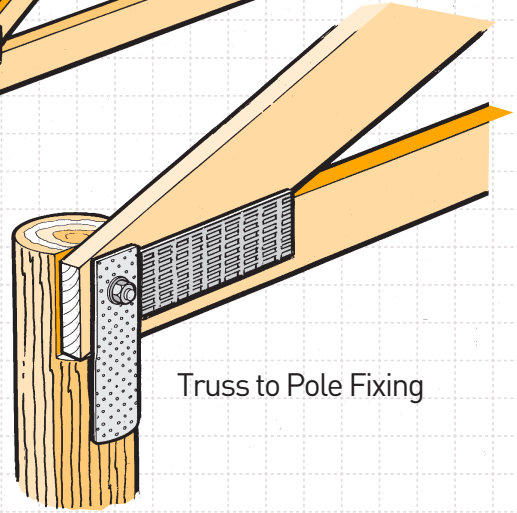
# NAILON PLATES

USE STAINLESS STEEL OPTION IN EXTERIOR SITUATIONS

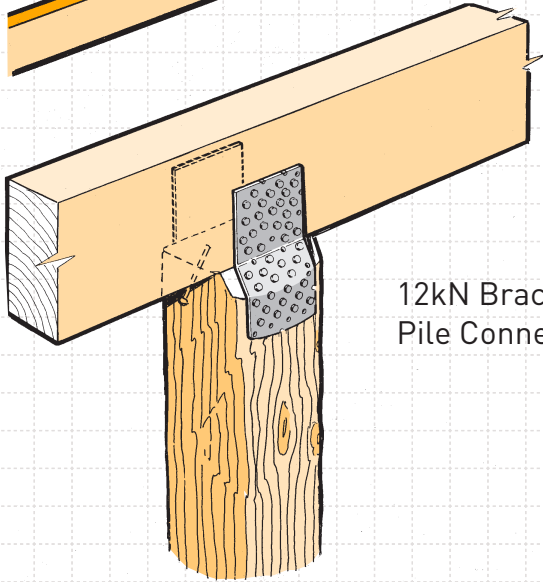
On-site splicing of trusses



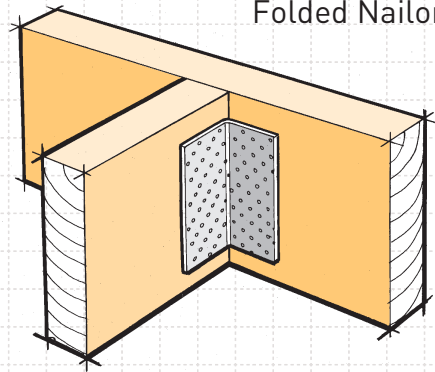
Truss to Pole Fixing



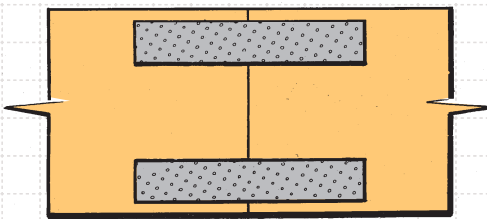
12kN Brace  
Pile Connection



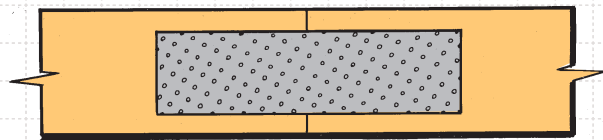
Folded Nailon Cleats



Full strength joint splice



High tension load fixing



AVAILABLE FROM LEADING BUILDERS SUPPLY MERCHANTS THROUGHOUT NEW ZEALAND

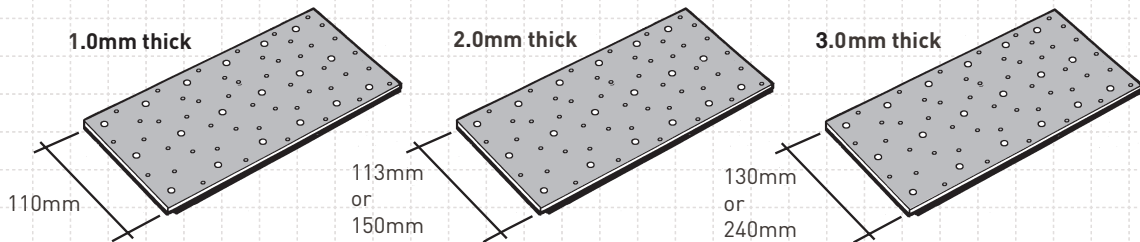


# NAILON PLATE

## Nailon Plate Dimensions

Nailon is manufactured from steel coil and is available in 1mm, 2mm and 3mm nominal thicknesses of widths shown. LUMBERLOK Nailon is a very versatile steel plate with many applications in timber construction, providing a very strong jointing system. Nailon is easily applied by filling the pre-punched holes with LUMBERLOK Product Nails 30mm x 3.15mm dia.

Flat Nailon Plate can be used for splicing trusses and beams, or as a moment joint when a pair of plates are used. 3mm Nailon can also be welded to form special brackets supporting portal frames, trusses, etc.

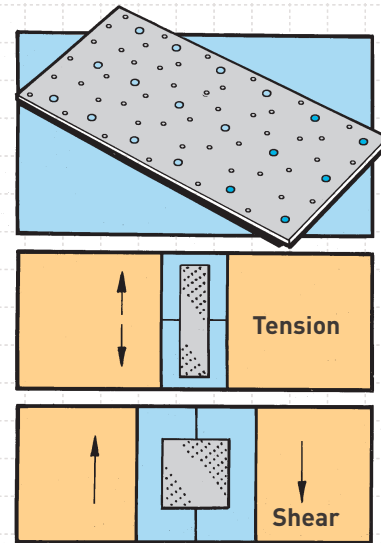


Lengths as requested in 40mm increments (min. length 80mm). Other lengths subject to cutting charge.

## Specification

- 1mm x 110mm wide - 0.91mm G300 Z275 Galvanised Steel
- 1mm x 110mm wide - 0.9mm Stainless Steel 304-2B
- 2mm x 113mm wide - 1.55mm G300 Z275 Galvanised Steel
- 2mm x 150mm wide - 1.55mm G300 Z275 Galvanised Steel
- 3mm x 130mm wide - 3.0mm NZCC-SD Ungalvanised Black Steel
- 3mm x 240mm wide - 3.0mm NZCC-SD Ungalvanised Black Steel

Characteristic Load (Plate)		
1mm Plate Zinc	Tension	200 N/mm per plate
	Shear	140 N/mm per plate
1mm Plate Stainless Steel	Tension	140 N/mm per plate
	Shear	110 N/mm per plate
2mm Plate	Tension	340 N/mm per plate
	Shear	240 N/mm per plate
3mm Plate	Tension	570 N/mm per plate
	Shear	360 N/mm per plate
110mm wide - 8 nails OR 3 screws per 40mm plate length		
113mm wide - 8 nails OR 3 screws per 40mm plate length		
130mm wide - 10 nails OR 3 screws per 40mm plate length		
150mm wide - 11 nails OR 4 screws per 40mm plate length		
240mm wide - 19 nails OR 5 screws per 40mm plate length		



## Availability

As many Nailon products are not stock items, a lead time is sometimes required when ordering. Flat Nailon Plate can be cut to any length, in multiples of 40mm, or in coil form. All folded and special Nailon products are made to order. Order your Nailon requirements through your local LUMBERLOK merchant. Orders directed to us will be charged via your local merchant.

## Order to Specify

1. LUMBERLOK Nailon Plate - thickness, width and length in 40mm increments. (min. 80mm length)
2. Special requirements, preferably accompanied by a sketch.
3. Quantity.
4. Nail quantity required.

**Note: Made to order items are non-returnable.**