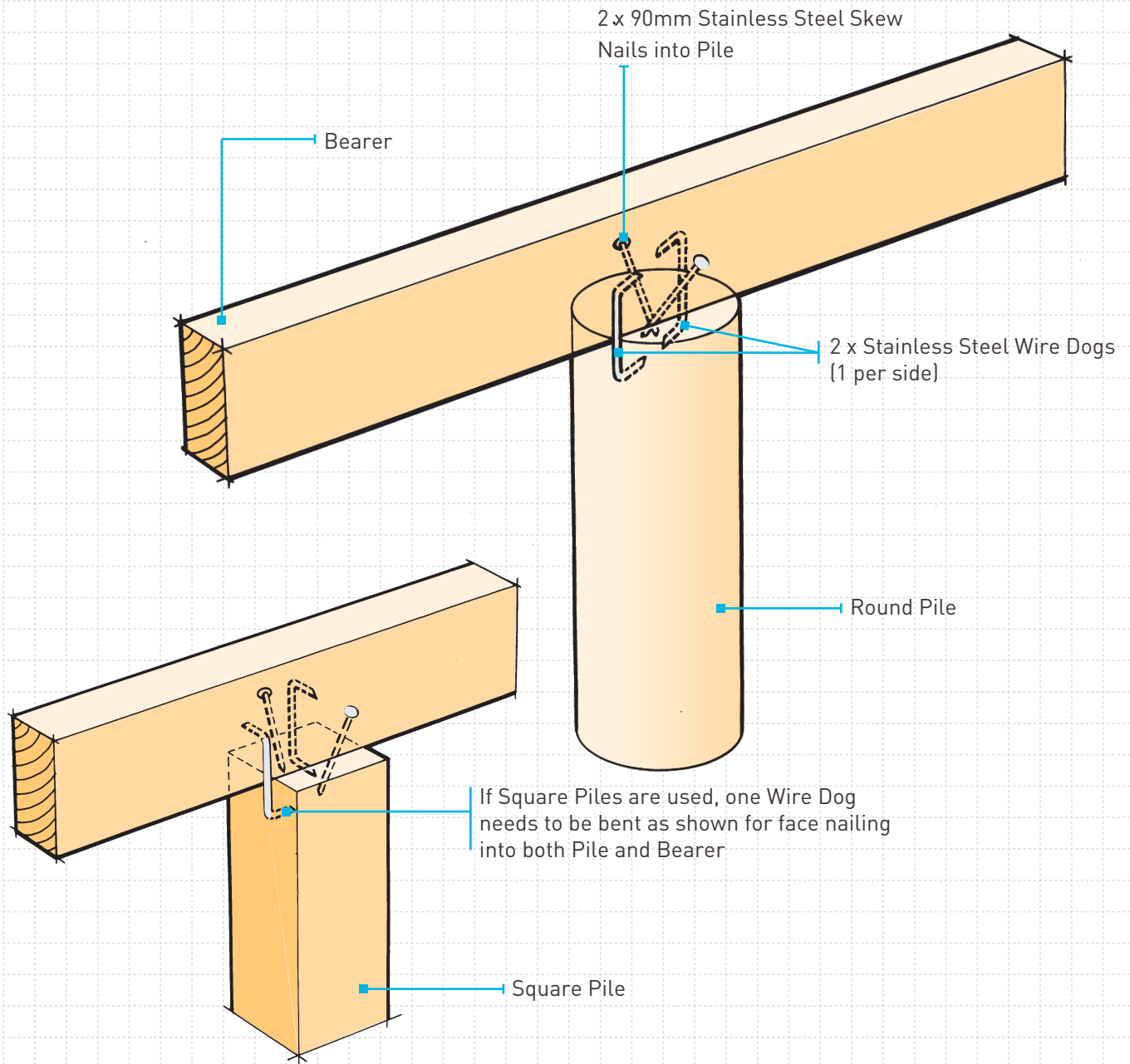


ORDINARY PILE FIXING

COMPLIES WITH NZS 3604:2011

- All Fixings Stainless Steel
- For all Ordinary Piles (Refer to figure 6.3 NZS 3604:2011)



Code: OPF

Packed: 20 x Stainless Steel Wire Dog Staples
20 x Stainless Steel Nails 90mm x 4 dia.

AVAILABLE FROM LEADING BUILDERS SUPPLY MERCHANTS THROUGHOUT NEW ZEALAND

