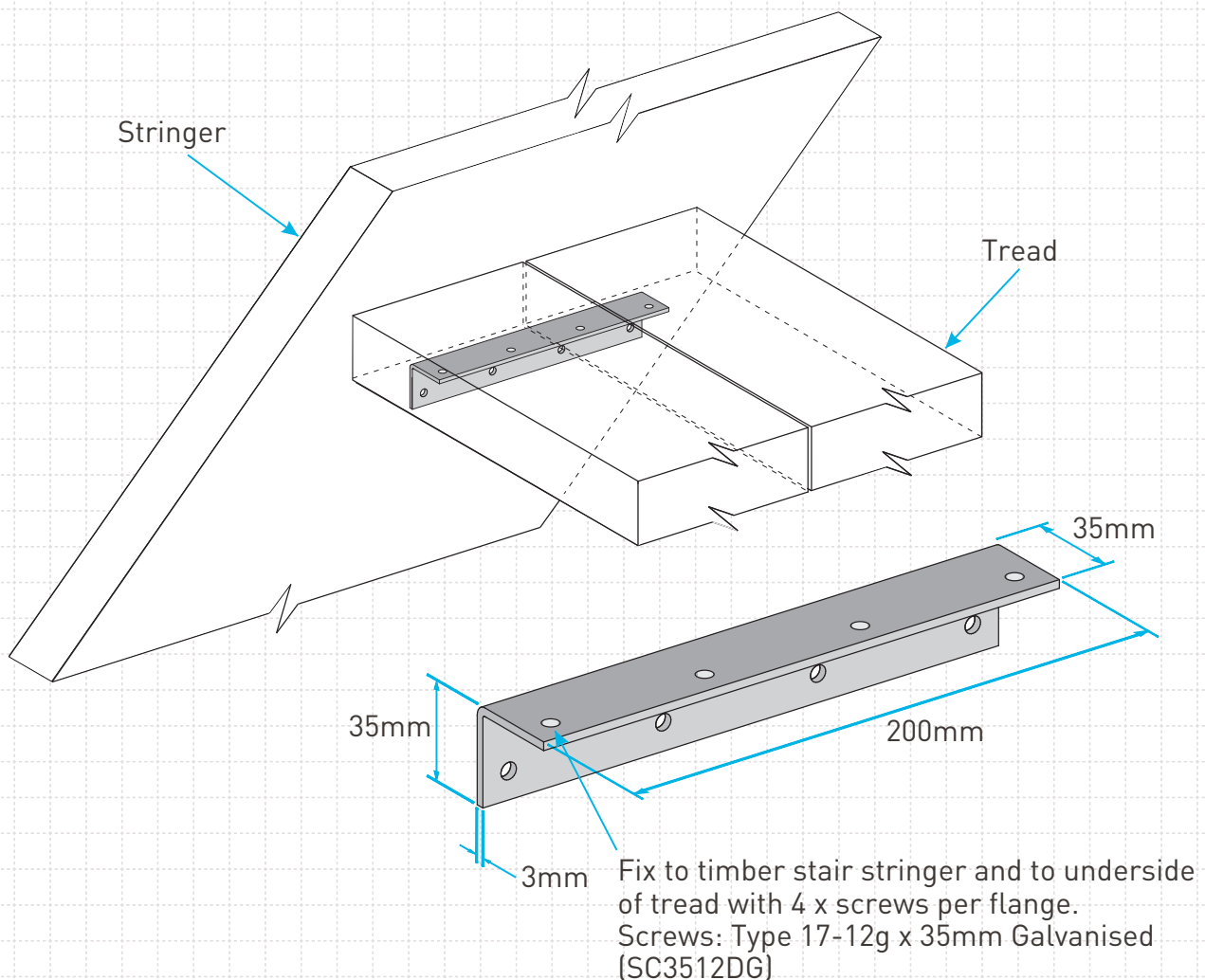


# STAIR TREAD & STAIR TREAD JOINER

- Suitable for single tread sizes up to 300mm wide or 2 x 140mm wide
- Quick and easy to install
- No need to rebate tread to stringer
- Hot Dip Galvanised - for external use only



**CODE:** B65200F

**MATERIAL:** ex 3mm thick plate 65 x 200mm (folded) Hot Dipped Galvanised

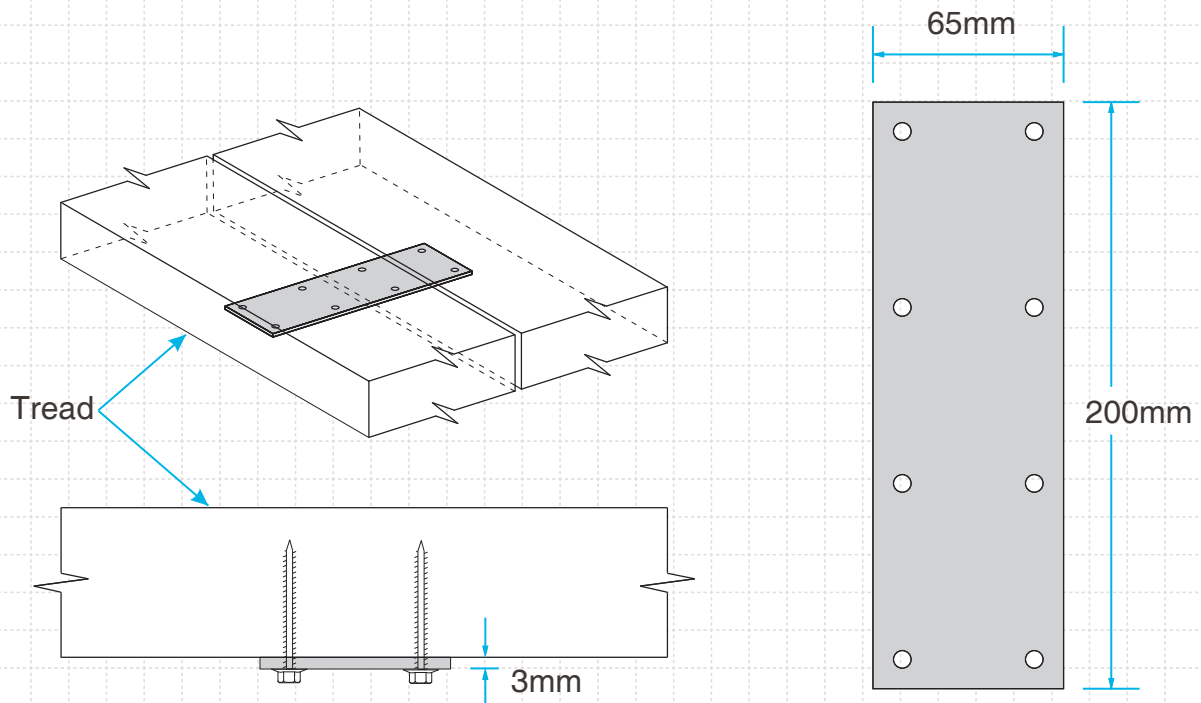
**AVAILABLE FROM LEADING BUILDERS SUPPLY MERCHANTS THROUGHOUT NEW ZEALAND**



# STAIR TREAD & STAIR TREAD JOINER

- Suitable for 2 x 140mm stair treads wide
- Enables two steps to perform as one
- Stiffens and strengthens individual stair treads
- Hot Dip Galvanised - for external use only

Symmetrically place on underside of treads as shown and screw fix with 8 screws total.  
Screws: Type 17-12g x 35mm Galvanised. (SC3512DG)



**CODE:** B65200  
**MATERIAL:** ex 3mm thick plate 65 x 200mm Hot Dipped Galvanised

