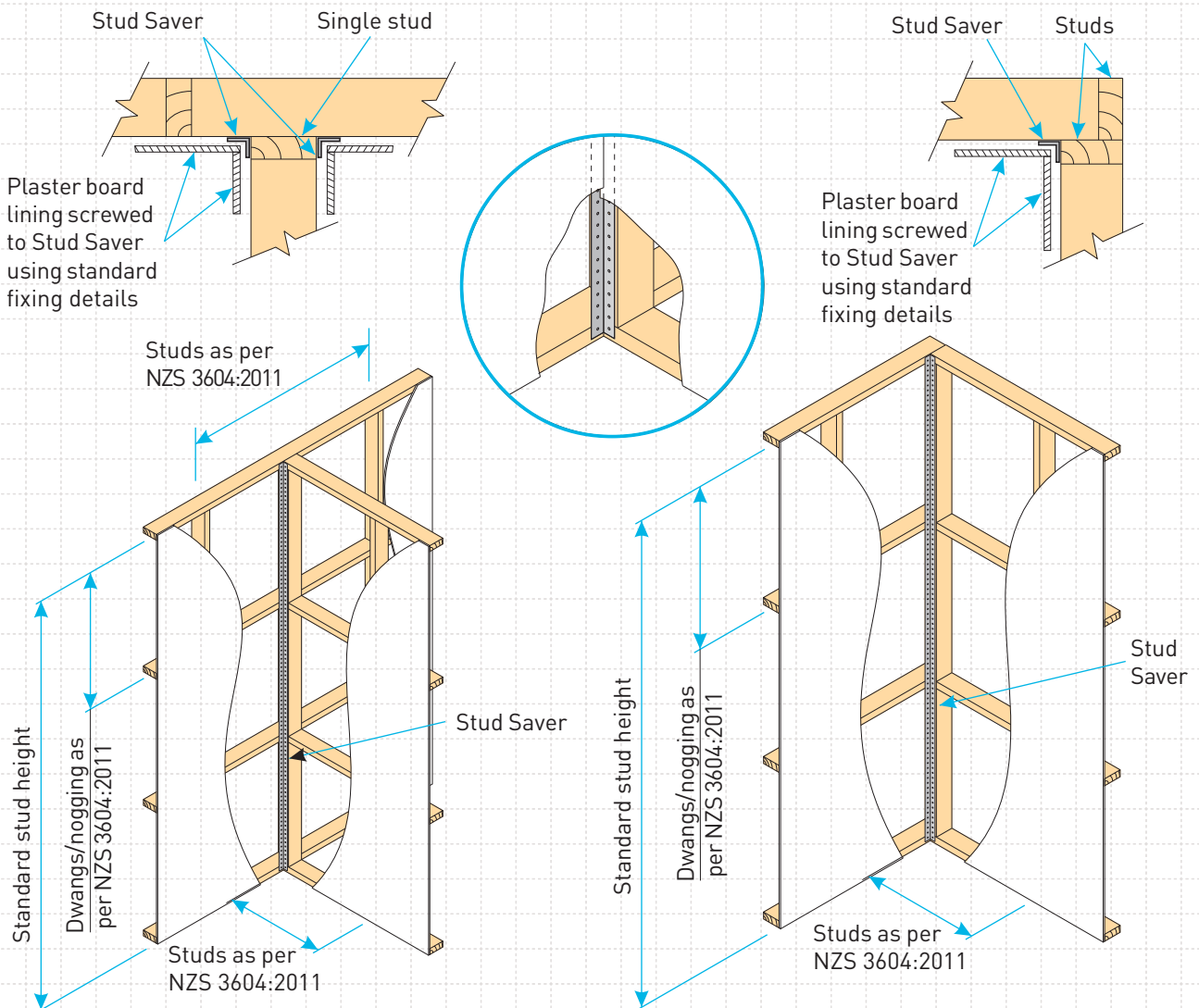


STUD SAVER

FOR WALLS

PATENT NO. 314494

- Eliminates studs and blocks at wall intersections and corners
- Easy location of internal walls
- Repositioning of internal walls can be con without modifying the frame
- Can be fitted easily and quickly on-site before lining
- Wall bracing performance can be achieved when fixed according to the standard plaster board fixing details. (BRANZ test report dated 5 May 1999). Reduces plaster board cracking in corners
- Supplied in lengths to suit 2400mm wall height



AVAILABLE FROM LEADING BUILDERS SUPPLY MERCHANTS THROUGHOUT NEW ZEALAND

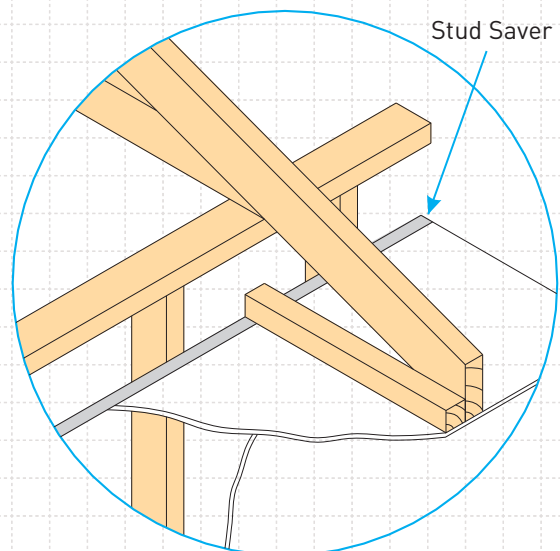
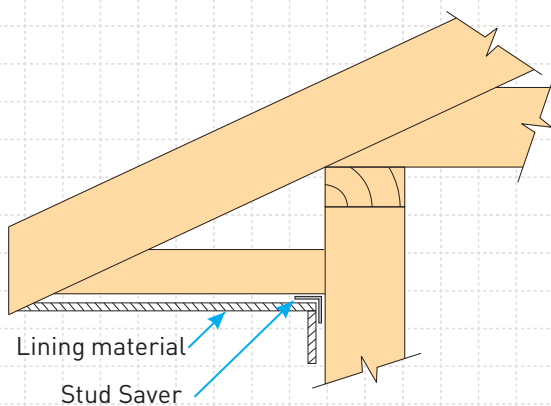
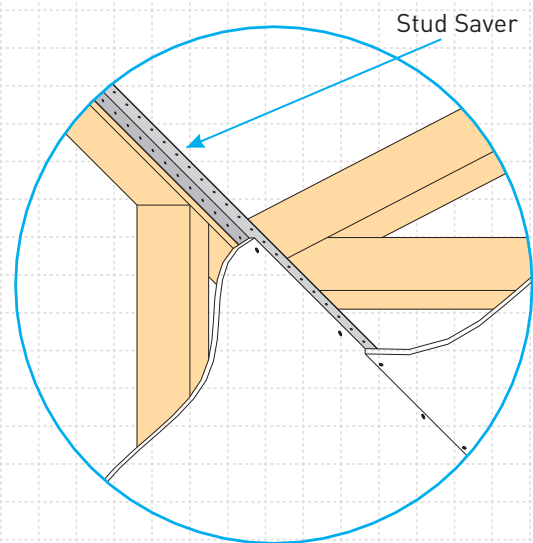
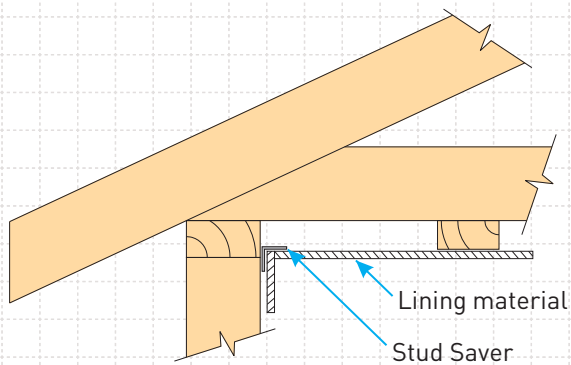


STUD SAVER

FOR CEILINGS

PATENT NO. 314494

- Alternative to top plate packers
- Can be adjusted in location to suit any size ceiling batten
- Can be located over internal walls at the required level to suit the ceiling line
- Easily fixed to wall plates and studs
- reduces cracking along the ceiling wall corners
- Ceiling material simply attached by use of standard self tapping screws
- Supplied in 2400mm lengths
- Not for ceiling diaphragms



AVAILABLE FROM LEADING BUILDERS SUPPLY MERCHANTS THROUGHOUT NEW ZEALAND

