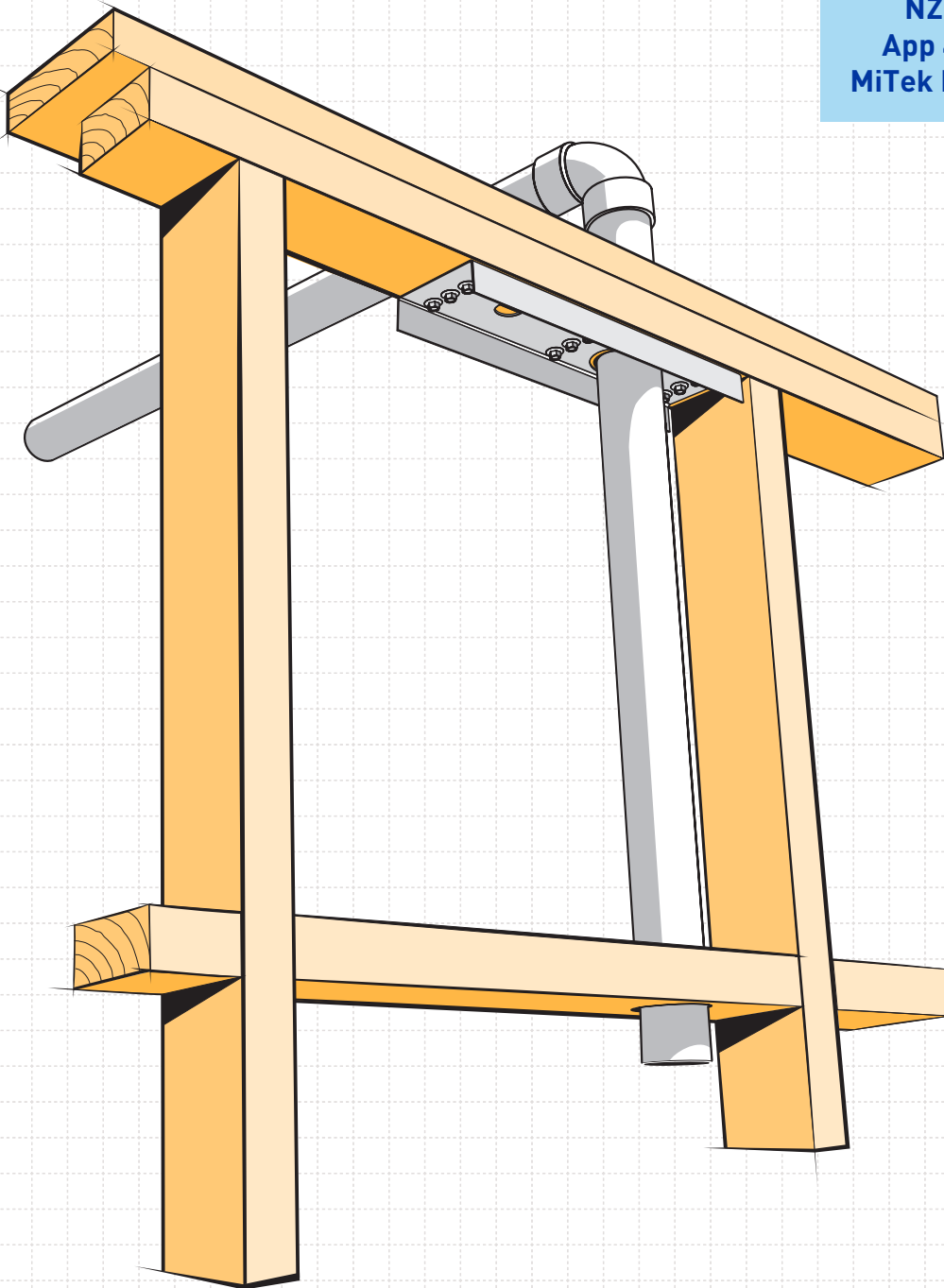


TOP PLATE STIFFENER

FOR PLUMBING OR VACUUM SYSTEM DUCTING THROUGH TOP PLATES

- Reinforces the top plate back to FULL STRENGTH
- Alternative solution to figure 8.20 NZS 3604:2011

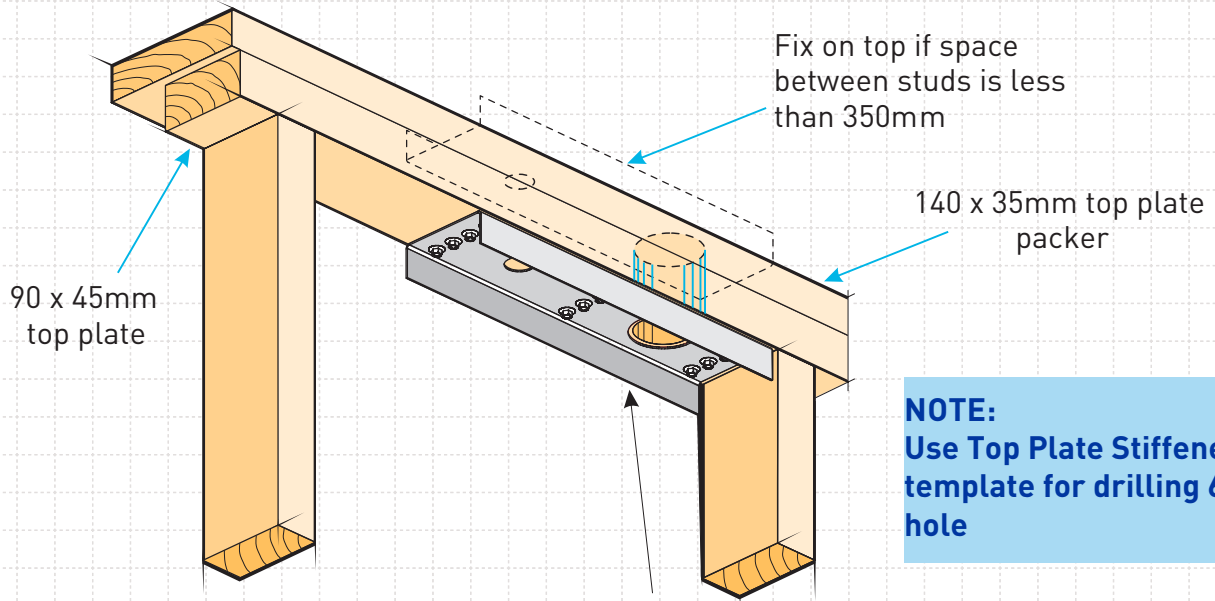
NZ REG DESIGN
App 408133 © 2006
MiTek New Zealand Ltd.



AVAILABLE FROM LEADING BUILDERS SUPPLY MERCHANTS THROUGHOUT NEW ZEALAND

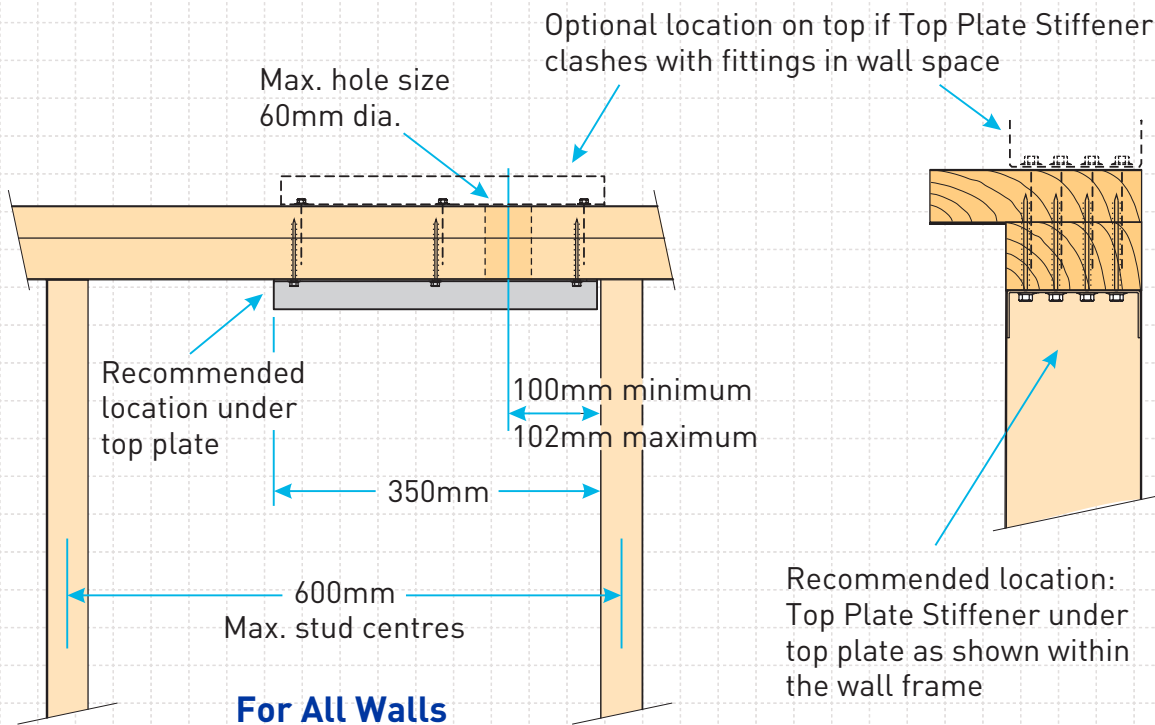


TOP PLATE STIFFENER



NOTE:
For single top plate fix with Type 17-14g x 35mm Hex Head Screws (not supplied)

Fix up into top plate and into packer with 3 rows of 4 x Type 17-14g x 75mm Hex Head Screws (supplied). It may be advisable to drill pilot hole for each screw to assist installation



Code: TPS
Material: 1.55mm G300 Z275 Galvanised Steel
Packed: 8 x Framing Stud Stiffeners per carton
 100 x Type 17-14g x 75mm Hex Head Galvanised Screws